

UNION VALVE



TIANJIN UNION VALVE CO., LTD.

Contact Person: Mr. jack wang (General Manager)

+8622 6622 4148 +8622 2529 1233

<https://www.bh-valve.com>

jack.wang@bh-valve.com

Tianshan tengfei base, Chuangye Road, xiaozhan industrial development area, Jinnan district, Tianjin, China.



**WE OFFER TECHNICAL
EXPERTISE
AND A WILLINGNESS
TO WORK WITH THE CUSTOMER**



IMGV

UNION VALVE

TIANJIN UNION VALVE CO., LTD.

IMGV

2002

WAS ESTABLISHED IN

8000

PRODUCTION CAPACITY IS OVER

14140

REGISTERED CAPITAL

12000

COVERING AN AREA OF



INTRODUCTION

Tianjin Union Valve Co.,Ltd. is a professional valve manufacturer with a registered capital of 10 million yuan. Due to accurate market positioning, excellent product quality, standardized internal management, a new Chinese modern enterprise has now taken shape and enjoys a good reputation in China valve and casting industry. Our company has modern factories, manufacturing processing and testing equipment, strong technical force and over 200 employees including skilled assembly-line workers and experienced technical staffs in valve field. Now our company has passed the ISO9001: 2008 quality management system certification and CE certification.

We not only manufacture a variety of standard valves, but also design and produce valves according to customer requirements. Our main products include: flange center butterfly valve, eccentric butterfly valve, metal butterfly valve, gate valve, ball valve, check valve, filter, globe valve, soft joints and so on. These products are widely used in petroleum, chemical, urban water supply and drainage, paper, electronics, shipbuilding, medicine, construction, food and other industries. Tianjin Union Valve Co., Ltd enjoys a good fame in wide customers by virtue of its good product quality and perfect service system. Now our products sell well in Europe and America, Southeast Asia, the Middle East, Australia, North Africa, South Korea, Hong Kong, Taiwan and dozens of countries and regions.

Our company's purpose is: professional and technical support, perfect after-sales service!

CONTENTS



Butterfly Valve



- 03 Products
- 05 Wafer Butterfly Valve (Two Holes)
- 06 Wafer Butterfly Valve
- 07 Wafer Butterfly Valve (As2129)
- 08 U-Type Butterfly Valve
- 09 Wafer Butterfly Valve (Half Shaft Without Pin)
- 10 Wafer Butterfly Valve (Through Shaft Without Pin)
- 11 Wafer Butterfly Valve (Four Holes With Tongue-And-Groove Seat)
- 12 Wafer Butterfly Valve (with tongue And Groove Seat Without Pin)
- 13 PTFE Coated Butterfly Valve(Wafer Type)
- 14 Flange Butterfly Valve
- 17 Lug Butterfly Valve(Through Shaft With Pin)
- 18 Lug Butterfly Valve (Through Shaft Without Pin)
- 19 Lug Butterfly Valve (Half Shaft Without Pin)
- 20 Lug Butterfly Valve (PTFE Through Shaft Without Pin)
- 21 Grooved End Butterfly Valve
- 22 Resilient Seated Eccentric Flanged Butterfly Valve
- 23 Metal Seated Eccentric Butterfly Valve (Wafer Type)
- 24 PVC Butterfly valve

Gate Valve



- 25 Gate Valve
- 27 Non-Rising Stem Resilient Seated Gate Valve
- 28 Non-Rising Stem Solid Wedge Gate Valve
- 29 Rising Stem Resilient Seated Gate Valve
- 30 Rising Stem Solid Wedge Gate Valve
- 31 Parallel Double Discs Gate Valve 30ch6br
- 32 Knife gate valve

Check Valve



- 33 Check Valve
- 35 Dual Plate Wafer Check Valve
- 36 Swing Check Valve
- 37 Ball Type Check Valve
- 38 Tilting Check Valve
- 39 Seated Gate Valve With

Y-Strainer



- 43 Y-Strainer

Valve Pipe Connection Accessories



- 45 Single Sphere Connector With Flange
- 46 Double Ball Connector With Flange
- 47 Pressure Reducing Valve
- 48 Dismantling Jiont
- 49 Universal Coupling(wide range)
- 50 Universal Flange Adaptor(wide range)
- 51 Quick Flange Adaptor For PE/PVC Pipe

Ball Valve



- 41 Ball Valve

Foot Valve



- 42 Foot Valve

Globe Valve

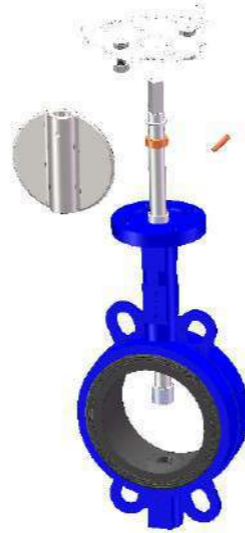


- 44 Globe Valve

Certification

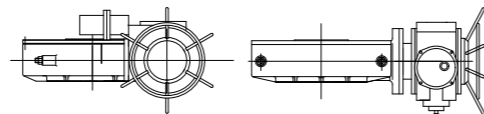
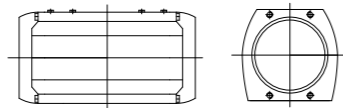
- 53 ISO9001 Certification
- 54 ISO9001 Certification
- 55 ISO9001 Certification
- 56 ACS Certification
- 57 ACS And BV Certification
- 58 ISO 45001-ISO24001

CONCENTRIC BUTTERFLY VALVE



Water works and water resource project
 Environment protection
 Public facilities
 Power and public utilities
 Building industry
 Petroleum, chemical
 Steel, metallurgy
 Paper making industry
 Foods, Beverage

Configurable drives



Pneumatic actuators

Electric Actuator

Butterfly valve as used as shutting-off or throttling unit for petroleum processing, chemicals, food, medicine, textile, paper making, hydroelectricity engineering as well as light industry, etc. it can be installed in any selected position.

Through precise manufacturing, the main parts of this butterfly valve ensure valve's operation in long stable and reliable condition.

Driving device Flange
 Can be used in handles, gear operators, electric or pneumatic actuators.

Bushing
 Reduce driving torque, support stem, and effectively separate it with valve body, reduce wear of stem.

Surface of disc axle hole
 Through treatment of polishing, precisely fit with seat

High precision disc external profiles
 Reach the requirement of bubble-tight, small start and stop torque, longer usage life of seat

Stem seal
 Stem is not easy to be distorted, eliminating possible leakage in stem.

Strong precision key
 Give possible attachment for manual lever or actuator.

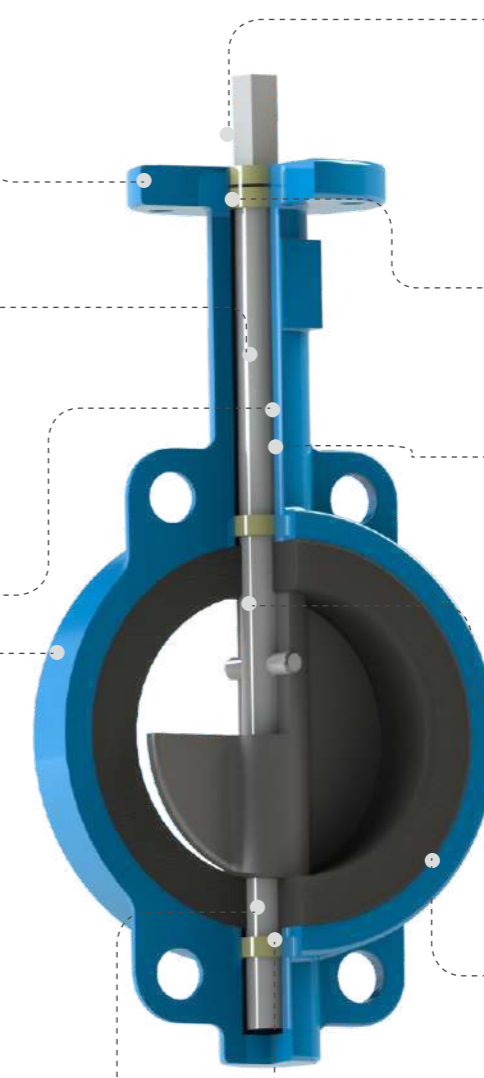
Dust-protect seal

Precision taper pin
 Ensure positive vibration proof, stem to disc connection, Easily field replaceable.

Integral stem design
 Ensures dependable and positive disc control

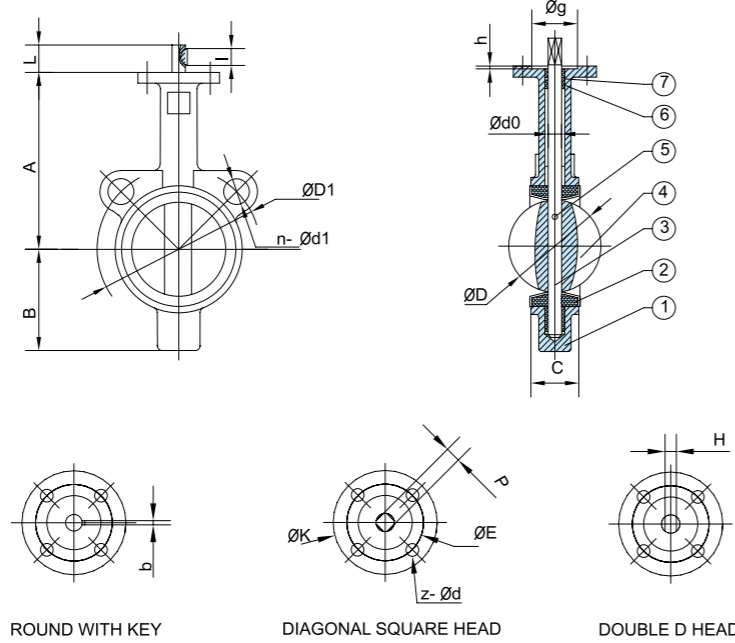
Side seal
 With no need of flange gasket

Backed seat
 Non-collapsible, stretch-resistant and leakage proof. Easily filed replaceable.





Wafer Butterfly Valve (Two Holes)



- **Type:** Wafer
- **Face to Face:** API609,BS5155,DIN3202,ISO5752
- **Flange:** DIN,BS,UNI,ISO, ANSI, AS,JIS
- **Mounting Flange:** ISO5211
- **Working Pressure:** PN16(200PSI)
- **Application:** HVAC,Water Supply&Sewage, Food&Beverage,Chemical/ petrochemical/processing, Power and Utilities,Paper and Pulp,Ship Building.

STANDARD MATERIALS OF MAIN PARTS

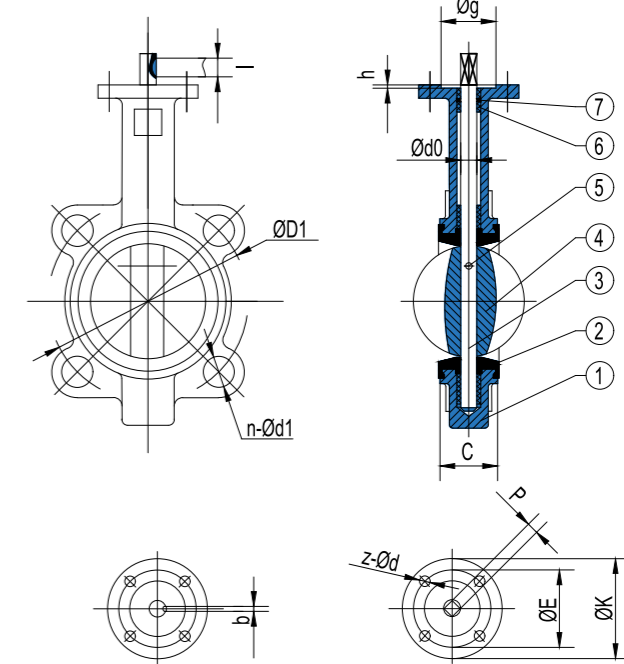
ITEM	PART NAME	MATERIAL
1	Body	Cast Iron,Ductile Iron,Carbon Steel,Stainless Steel
2	Seat	NBR,EPDM,Viton,Neoprene,Hypalon,Silicon
3	Shaft	Stainless Steel416,316,304
4	Disc	Ductile Iron +Ni,CF8,CF8M,Bronze
5	Pin	Stainless Steel
6	Bushing	PTFE,Bronze
7	O Ring	NBR,EPDM

DIMENSIONS:(mm)

SIZE		A	B	C	D	L	d0	P	H	key	UPPER FLANGE				ANSI 150		DIN PN10/16		
in	DN									bxl	K	E	z-d	g	h	D1	n-Ød1	D1	n-Ød1
2	50	140	80	42	52.6	32	126	9	10	3X16	77	50	4.7	35	3	120.5	4-19	125	4-18
2-1/2	65	152	89	44.7	64.5	32	126	9	10	3X16	77	50	4.7	35	3	139.5	4-19	145	4-18
3	80	159	95	45.2	78.8	32	126	9	10	3X16	77	50	4.7	35	3	152.5	4-19	160	4/8-18
4	100	178	114	52.1	104	32	15.77	11	12	5X19	90	70	4.9	55	3	190.5	8-19	180	8-18
5	125	190	127	54.4	123.3	32	18.92	14	14	5X19	90	70	4.9	55	3	216	8-22	210	8-18
6	150	203	139	55.8	155.6	32	18.92	14	14	5X19	90	70	4.9	55	3	241.5	8-22	240	8-23
8	200	238	175	60.6	202.5	45	22.1	17	17	5X19	125	102	4-12	70	3.5	298.5	8-22	295	8/12-23
10	250	268	203	65.6	250.5	45	28.45	22	22	8X28	125	102	4-12	70	3.5	362	12-25	350/355	12-23/27
12	300	306	242	76.9	301.6	45	31.6	22	24	8X28	125	102	4-12	70	3.5	432	12-25	400/410	12-23/27



Wafer Butterfly Valve



- **Type:** Wafer
- **Face to Face:** API609,BS5155,DIN3202,ISO5752
- **Flange:** DIN,BS,UNI,ISO, ANSI, AS,JIS
- **Mounting Flange:** ISO5211
- **Working Pressure:** PN16(200PSI)
- **Application:** HVAC,Water Supply&Sewage, Food&Beverage,Chemical/ petrochemical/processing, Power and Utilities,Paper and Pulp,Ship Building.

STANDARD MATERIALS OF MAIN PARTS

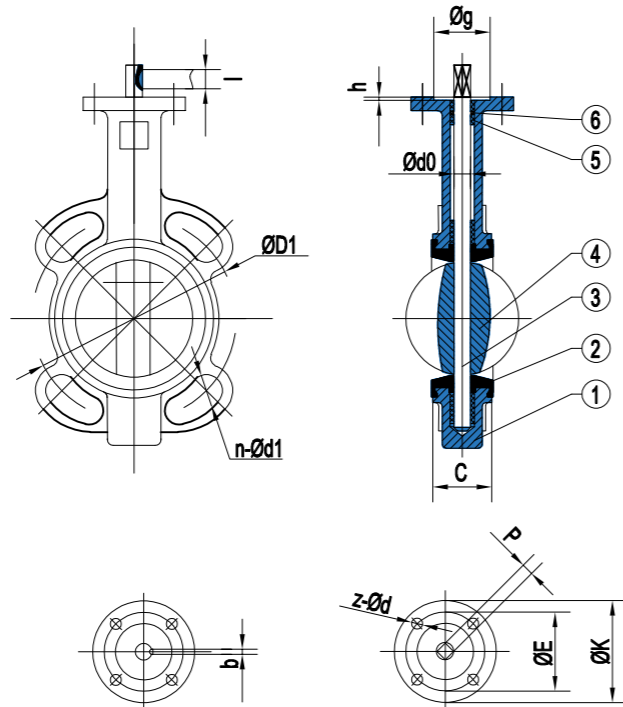
ITEM	PART NAME	MATERIAL
1	Body	CI/DI/CS/SS
2	Seat	EPDM/PTFENITON/NBR/Hypalon
3	Shaft	SS416/316/304
4	Disc	CF8/CF8M/DI+Ni
5	Pin	SS304/SS316
6	Bushing	PTFE/Bronze
7	O Ring	NBR/EPDM

DIMENSIONS:(mm)

SIZE		C	d0	K	E	z-d	g	h	p	bXl	PN16		PN10		ANSI 150		JIS 10K	
in	DN										D1	n-Ød1	D1	n-Ød1	D1	n-Ød1	D1	n-Ød1
2	50	42	12.6	77	50	4-7	35	3	9	3X16	125	4-18	125	4-18	120.5	4-19	120	4-19
2.5	65	44.7	12.6	77	50	4-7	35	3	9	3X16	145	4-18	145	4-18	139.5	4-19	140	4-19
3	80	45.2	12.6	77	50	4-7	35	3	9	3X16	160	8-18	160	8-18	152.5	4-19	150	4-19
4	100	52.1	15.77	90	70	4-9	55	3	11	5X19	180	8-18	180	8-18	190.5	8-19	175	8-19
5	125	54.4	18.92	90	70	4-9	55	3	14	5X19	210	8-18	210	8-18	216	8-22	210	8-23
6	150	55.8	18.92	90	70	4-9	55	3	14	5X19	240	8-23	240	8-23	241.5	8-22	240	8-23
8	200	60.6	22.1	125	102	4-12	70	3.5	17	5X19	295	12-23	295	8-23	298.5	8-22	290	12-23
10	250	65.6	28.45	125	102	4-12	70	3.5	22	8X28	355	12-27	350	12-23	362	12-25	355	12-25
12	300	76.9	31.6	125	102	4-12	70	3.5	22	8X28	410	12-27	400	12-23	432	12-25	400	16-25
14	350	76.9	31.6	125	102	4-12	70	3.5	22	8X28	470	16-27	460	16-23	476	12-29	445	16-25
16	400	86.5	33.15	175	140	4-18	100	4	24	10X50	525	16-30	515	16-27	540	16-29	510	16-27
18	450	105.6	38	175	140	4-18	100	4	27	10X50	585	20-30	565	20-27	578	16-32	565	20-27
20	500	127	41.15	175	140	4-18	100	4	32	10X50	650	20-33	620	20-27	635	20-32	620	20-27
24	600	152	50.65	210	165	4-23	130	5	36	2-16X60	770	24-36	725	20-30	749.5	20-35	730	24-33
28	700	163	55	300	254	8-18	200	5.5		2-18X63	840	24-36	840	24-30	863.5	28-35	840	24-33
30	750	165	55	300	254	8-18	200	5.5		2-18X63	914	24-39	914	24-33	914.5	28-11/4"	900	24-33
32	800	188	55	300	254	8-18	200	5.5		2-18X63	950	24-39	950	24-33	978	28-41	950	28-33
36	900	203	75	300	254	8-18	200	5.5		2-20X100	1050	28-39	1050	28-33	1086	32-41	1050	28-33
40	1000	216	85	300	254	8-18	200	5.5		2-20X100	1170	28-42	1160	28-36	1200	36-41	1160	28-39
42	1050	251	95	300	254	8-18	200	5.5		2-25X140	1257	32-44	1257	32-37	1257.5	36-41	1270	28-39
48	1200	276	105	350	298	8-23	230	5.5		2-28X140	1390	32-50	1380	32-41	1422.5	40-41	1380	32-39



Wafer Butterfly Valve (As2129)



- **Type:** Wafer
- **Face to Face:** API609,BS5155,DIN3202,ISO5752
- **Flange:** DIN,BS,UNI,ISO, ANSI, AS,JIS
- **Mounting Flange:** ISO5211
- **Working Pressure:** PN16(200PSI)
- **Appliation:** HVAC,Water Supply&Sewage, Food&Beverage,Chemical/ petrochemical/processing, Power and Utilities,Paper and Pulp,Ship Building.

STANDARD MATERIALS OF MAIN PARTS

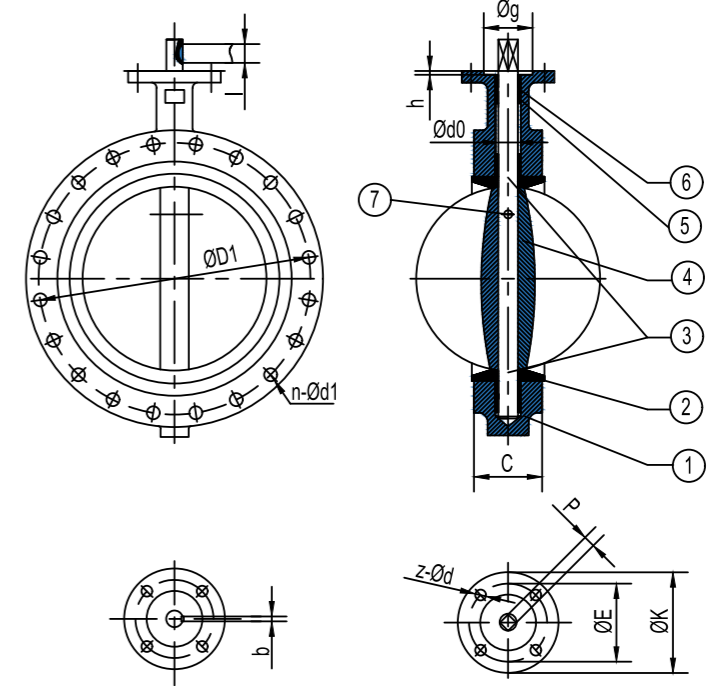
ITEM	PART NAME	MATERIAL
1	Body	CI/DI/CS/SS
2	Seat	EPDM/PTFENITON/NBR/Hypalon
3	Shaft	SS416/316/304
4	Disc	CF8/CF8M/DI+NiBronze
5	Bushing	PTFE/Bronze
6	O Ring	NBR/EPDM

DIMENSIONS:(mm)

SIZE		C	d0	K	E	z-d	g	h	p	bXl	PN16		PN10		ANSI 150		JIS 10K	
in	DN										D1	n-Ød1	D1	n-Ød1	D1	n-Ød1	D1	n-Ød1
2	50	42	12.6	77	50	4-7	35	3	9	3X16	125	4-18	125	4-18	120.5	4-19	120	4-19
2.5	65	44.7	12.6	77	50	4-7	35	3	9	3X16	145	4-18	145	4-18	139.5	4-19	140	4-19
3	80	45.2	12.6	77	50	4-7	35	3	9	3X16	160	8-18	160	8-18	152.5	4-19	150	4-19
4	100	52.1	15.77	90	70	4-9	55	3	11	5X19	180	8-18	180	8-18	190.5	8-19	175	8-19
5	125	54.4	18.92	90	70	4-9	55	3	14	5X19	210	8-18	210	8-18	216	8-22	210	8-23
6	150	55.8	18.92	90	70	4-9	55	3	14	5X19	240	8-23	240	8-23	241.5	8-22	240	8-23
8	200	60.6	22.1	125	102	4-12	70	3.5	17	5X19	295	12-23	295	8-23	298.5	8-22	290	12-23
10	250	65.6	28.45	125	102	4-12	70	3.5	22	8X28	355	12-27	350	12-23	362	12-25	355	12-25
12	300	76.9	31.6	125	102	4-12	70	3.5	22	8X28	410	12-27	400	12-23	432	12-25	400	16-25
14	350	76.9	31.6	125	102	4-12	70	3.5	22	8X28	470	16-27	460	16-23	476	12-29	445	16-25
16	400	86.5	33.15	175	140	4-18	100	4	24	10X50	525	16-30	515	16-27	540	16-29	510	16-27
18	450	105.6	38	175	140	4-18	100	4	27	10X50	585	20-30	565	20-27	578	16-32	565	20-27
20	500	127	41.15	175	140	4-18	100	4	32	10X50	650	20-33	620	20-27	635	20-32	620	20-27
24	600	152	50.65	210	165	4-23	130	5	36	2-16X60	770	24-36	725	20-30	749.5	20-35	730	24-33
28	700	163	55	300	254	8-18	200	5.5		2-18X63	840	24-36	840	24-30	863.5	28-35	840	24-33
30	750	165	55	300	254	8-18	200	5.5		2-18X63	914	24-39	914	24-33	914.5	28-11/4"	900	24-33
32	800	188	55	300	254	8-18	200	5.5		2-18X63	950	24-39	950	24-33	978	28-41	950	28-33
36	900	203	75	300	254	8-18	200	5.5		2-20X100	1050	28-39	1050	28-33	1086	32-41	1050	28-33
40	1000	216	85	300	254	8-18	200	5.5		2-20X100	1170	28-42	1160	28-36	1200	36-41	1160	28-39
42	1050	251	95	300	254	8-18	200	5.5		2-25X140	1257	32-44	1257	32-37	1257.5	36-41	1270	28-39
48	1200	276	105	350	298	8-23	230	5.5		2-28X140	1390	32-50	1380	32-41	1422.5	40-41	1380	32-39



U-Type Butterfly Valve



- **Type:** Wafer
- **Face to Face:** API609,BS5155,DIN3202,ISO5752
- **Flange:** DIN,BS,UNI,ISO, ANSI, AS,JIS
- **Mounting Flange:** ISO5211
- **Working Pressure:** PN16(200PSI)
- **Appliation:** HVAC,Water Supply&Sewage, Food&Beverage,Chemical/ petrochemical/processing, Power and Utilities,Paper and Pulp,Ship Building.

STANDARD MATERIALS OF MAIN PARTS

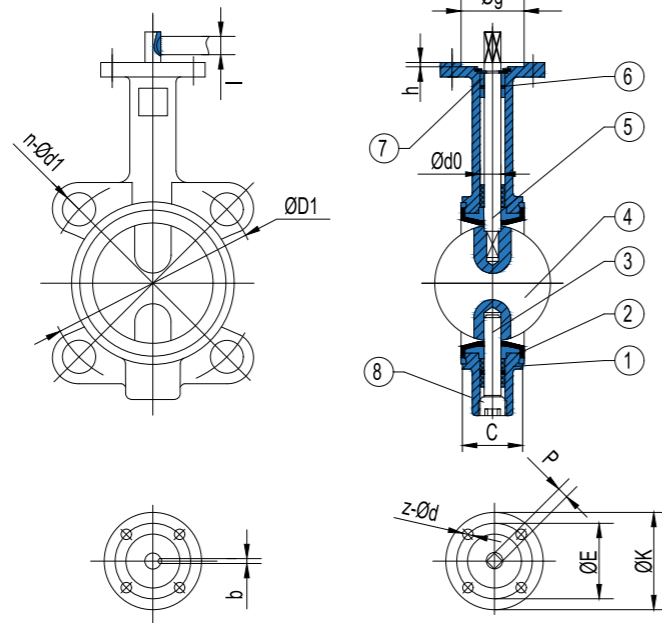
ITEM	PART NAME	MATERIAL
1	Body	CI/DI/CS/SS
2	Seat	EPDM/PTFENITON/NBR/Hypalon
3	Shaft	SS416/316/304
4	Disc	CF8/CF8M/DI+Ni
5	Pin	SS304/SS316
6	Bushing	PTFE/Bronze
7	O Ring	NBR/EPDM

DIMENSIONS:(mm)

SIZE		C	d0	K	E	z-d	g	h	p	bXl	PN16			PN10			ANSI 150		
in	DN										D1	n-Ød1	4-M	D1	n-Ød1	4-M	D1	n-Ød1	4-M
2	50	42	12.6	77	50	4-7	35	3	9	3X16	125	4-18		125	4-18		120.5	4-19	
2.5	65	44.7	12.6	77	50	4-7	35	3	9	3X16	145	4-18		145	4-18		139.5	4-19	
3	80	45.2	12.6	77	50	4-7	35	3	9	3X16	160	8-18		160	8-18		152.5	4-19	
4	100	52.1	15.77	90	70	4-9	55	3	11	5X19	180	8-18		180	8-18		190.5	8-19	
5	125	54.4	18.92	90	70	4-9	55	3	14	5X19	210	8-18		210	8-18		216	8-22	
6	150	55.8	18.92	90	70	4-9	55	3	14	5X19	240	8-23		240	8-23		241.5	8-22	
8	200	60.6	22.1	125	102	4-12	70	3.5	17	5X19	295	12-23		295	8-23		298.5	8-22	
10	250	65.6	28.45	125	102	4-12	70	3.5	22	8X28	355	12-27		350	12-23		362	12-25	
12	300	76.9	31.6	125	102	4-12	70	3.5	22	8X28	410	12-27		400	12-23		432	12-25	
14	350	76.9	31.6	125	102	4-12	70	3.5	22	8X28	470	16-27		460	16-23		476	12-29	
16	400	86.5	33.15	175	140	4-18	100	4	24	10X50	525	16-30		515	16-27		540	16-29	
18	450	105.6	38	175	140	4-18	100	4	27	10X50	585	20-30		565	20-27		578	16-32	
20	500	127	41.15	175	140	4-18	100	4	32	10X50	650	20-33		620	20-27		635	20-32	
24	600	152	50.65	210	165	4-23	130	5	36	2-16X60	770	24-36		725	20-30		749.5	20-35	
28	700	163	55	300	254	8-18	200	5.5		2-18X63	840	24-36	4-M33	840	24-30	4-M27	863.5	28-35	4-11/4"
30	750	165	55	300	254	8-18	200	5.5		2-18X63	914	24-39		914	24-33		914.5	28-35	4-11/4"
32	800	188	55	300	254	8-18	200	5.5		2-18X63	950	24-39	4-M36	950	24-33	4-M30	978	28-41	4-11/2"
36	900	203	75	300	254	8-18	200	5.5		2-20X100	1050	28-39	4-M36	1050	28-33	4-M30	1086	32-41	4-11/2"
40	1000	216	85	300	254	8-18	200	5.5		2-20X100	1170	28-42	4-M39	1160	28-36	4-M33	1200	36-41	4-11/2"
42	1050	251	95	300	254	8-18	200	5.5		2-25X140	1257	32-44		1257	32-37		1257.5	36-41	4-11/2"
48	1200	276	105	350	298	8-23	230	5.5		2-28X140	1390	32-50	4-M45	1380	32-41	4-M36	1422.5	40-41	4-11/2"



Wafer Butterfly Valve (Half Shaft Without Pin)



- Type: Wafer
- Face to Face: API609,BS5155,DIN3202,ISO5752
- Flange: DIN,BS,UNI,ISO, ANSI, AS,JIS
- Mounting Flange: ISO5211
- Working Pressure: PN16(200PSI)
- Application: HVAC,Water Supply&Sewage, Food&Beverage,Chemical/ petrochemical/processing, Power and Utilities,Paper and Pulp,Ship Building.

STANDARD MATERIALS OF MAIN PARTS

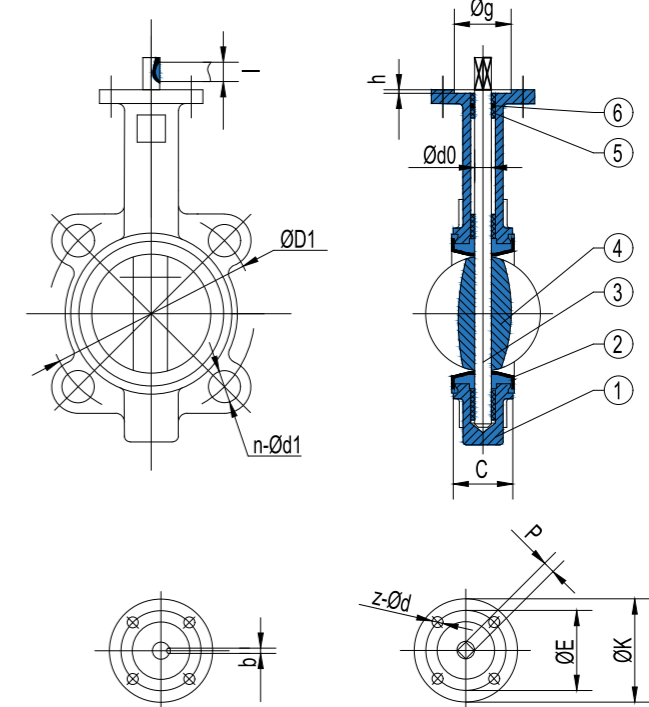
ITEM	PART NAME	MATERIAL
1	Body	CI/DI/CS/SS
2	Seat	EPDM/PTFENITON/NBR/Hypalon
3	Lower Shaft	SS416/316/304
4	Disc	CF8/CF8M/DI+Ni
5	Upper Shaft	SS304/SS316
6	O Ring	NBR/EPDM
7	Bushing	PTFE/Bronze
8	BOLTS	CS

DIMENSIONS:(mm)

SIZE		C	d0	K	E	z-d	g	h	p	bXl	PN16		PN10		ANSI 150		JIS 10K	
in	DN										D1	n-Ød1	D1	n-Ød1	D1	n-Ød1	D1	n-Ød1
2	50	42	12.6	77	50	4-7	35	3	9	3X16	125	4-18	125	4-18	120.5	4-19	120	4-19
2.5	65	44.7	12.6	77	50	4-7	35	3	9	3X16	145	4-18	145	4-18	139.5	4-19	140	4-19
3	80	45.2	12.6	77	50	4-7	35	3	9	3X16	160	8-18	160	8-18	152.5	4-19	150	4-19
4	100	52.1	15.77	90	70	4-9	55	3	11	5X19	180	8-18	180	8-18	190.5	8-19	175	8-19
5	125	54.4	18.92	90	70	4-9	55	3	14	5X19	210	8-18	210	8-18	216	8-22	210	8-23
6	150	55.8	18.92	90	70	4-9	55	3	14	5X19	240	8-23	240	8-23	241.5	8-22	240	8-23
8	200	60.6	22.1	125	102	4-12	70	3.5	17	5X19	295	12-23	295	8-23	298.5	8-22	290	12-23
10	250	65.6	28.45	125	102	4-12	70	3.5	22	8X28	355	12-27	350	12-23	362	12-25	355	12-25
12	300	76.9	31.6	125	102	4-12	70	3.5	22	8X28	410	12-27	400	12-23	432	12-25	400	16-25
14	350	76.9	31.6	125	102	4-12	70	3.5	22	8X28	470	16-27	460	16-23	476	12-29	445	16-25
16	400	86.5	33.15	175	140	4-18	100	4	24	10X50	525	16-30	515	16-27	540	16-29	510	16-27
18	450	105.6	38	175	140	4-18	100	4	27	10X50	585	20-30	565	20-27	578	16-32	565	20-27
20	500	127	41.15	175	140	4-18	100	4	32	10X50	650	20-33	620	20-27	635	20-32	620	20-27
24	600	152	50.65	210	165	4-23	130	5	36	2-16X60	770	24-36	725	20-30	749.5	20-35	730	24-33
28	700	163	55	300	254	8-18	200	5.5		2-18X63	840	24-36	840	24-30	863.5	28-35	840	24-33
30	750	165	55	300	254	8-18	200	5.5		2-18X63	914	24-39	914	24-33	914.5	28-11/4"	900	24-33
32	800	188	55	300	254	8-18	200	5.5		2-18X63	950	24-39	950	24-33	978	28-41	950	28-33
36	900	203	75	300	254	8-18	200	5.5		2-20X100	1050	28-39	1050	28-33	1086	32-41	1050	28-33
40	1000	216	85	300	254	8-18	200	5.5		2-20X100	1170	28-42	1160	28-36	1200	36-41	1160	28-39
42	1050	251	95	300	254	8-18	200	5.5		2-25X140	1257	32-44	1257	32-37	1257.5	36-41	1270	28-39
48	1200	276	105	350	298	8-23	230	5.5		2-28X140	1390	32-50	1380	32-41	1422.5	40-41	1380	32-39



Wafer Butterfly Valve (Through Shaft Without Pin)



- Type: Wafer
- Face to Face: API609,BS5155,DIN3202,ISO5752
- Flange: DIN,BS,UNI,ISO, ANSI, AS,JIS
- Mounting Flange: ISO5211
- Working Pressure: PN16(200PSI)
- Application: HVAC,Water Supply&Sewage, Food&Beverage,Chemical/ petrochemical/processing, Power and Utilities,Paper and Pulp,Ship Building.

STANDARD MATERIALS OF MAIN PARTS

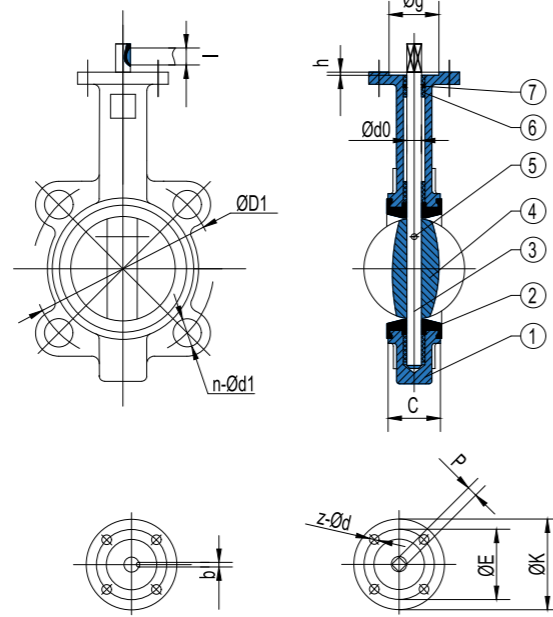
ITEM	PART NAME	MATERIAL
1	Body	CI/DI/CS/SS
2	Seat	EPDM/PTFENITON/NBR/Hypalon
3	Shaft	SS416/316/304
4	Disc	CF8/CF8M/DI+Ni
5	Bushing	PTFE/Bronze
6	O Ring	NBR/EPDM

DIMENSIONS:(mm)

SIZE		C	d0	K	E	z-d	g	h	p	bXl	PN16		PN10		ANSI 150		JIS 10K	
in	DN										D1	n-Ød1	D1	n-Ød1	D1	n-Ød1	D1	n-Ød1
2	50	42	12.6	77	50	4-7	35	3	9	3X16	125	4-18	125	4-18	120.5	4-19	120	4-19
2.5	65	44.7	12.6	77	50	4-7	35	3	9	3X16	145	4-18	145	4-18	139.5	4-19	140	4-19
3	80	45.2	12.6	77	50	4-7	35	3	9	3X16	160	8-18	160	8-18	152.5	4-19	150	4-19
4	100	52.1	15.77	90	70	4-9	55	3	11	5X19	180	8-18	180	8-18	190.5	8-19	175	8-19
5	125	54.4	18.92	90	70	4-9	55	3	14	5X19	210	8-18	210	8-18	216	8-22	210	8-23
6	150	55.8	18.92	90	70	4-9	55	3	14	5X19	240	8-23	240	8-23	241.5	8-22	240	8-23
8	200	60.6	22.1	125	102	4-12	70	3.5	17	5X19	295	12-23	295	8-23	298.5	8-22	290	12-23
10	250	65.6	28.45	125	102	4-12	70	3.5	22	8X28	355	12-27	350	12-23	362	12-25	355	12-25
12	300	76.9	31.6	125	102	4-12	70	3.5	22	8X28	410	12-27	400	12-23	432	12-25	400	16-25
14	350	76.9	31.6	125	102	4-12	70	3.5	22	8X28	470	16-27	460	16-23	476	12-29	445	16-25
16	400	86.5	33.15	175	140	4-18	100	4	24	10X50	525	16-30	515	16-27	540	16-29	510	16-27
18	450	105.6	38	175	140	4-18	100	4	27	10X50	585	20-30	565	20-27	578	16-32	565	20-27
20	500	127	41.15	175	140	4-18	100	4	32	10X50	650	20-33	620	20-27	635	20-32	620	20-27
24	600	152	50.65	210	165	4-23	130	5	36	2-16X60	770	24-36	725	20-30	749.5	20-35	730	24-33
28	700	163	55	300	254	8-18	200	5.5		2-18X63	840	24-36	840	24-30	863.5	28-35	840	24-33
30	750	165	55	300	254	8-18	200	5.5		2-18X63	914	24-39	914	24-33	914.5	28-11/4"	900	24-33
32	800	188	55	300	254	8-18	200	5.5		2-18X63	950	24-39	950	24-33	978	28-41	950	28-33
36	900	203	75	300	254	8-18	200	5.5		2-20X100	1050	28-39	1050	28-33	1086	32-41	1050	28-33
40	1000	216	85	300	254	8-18	200	5.5		2-20X100	1170	28-42	1160	28-36	1200	36-41	1160	28-39
42	1050	251	95	300	254	8-18	200	5.5		2-25X140	1257	32-44	1257	32-37	1257.5	36-41	1270	28-39
48	1200	276	105	350	298	8-23	230	5.5		2-28X140	1390	32-50	1380	32-41	1422.5	40-41	1380	32-39



Wafer Butterfly Valve (Four Holes With Tongue-And-Groove Seat)



- **Type:** Wafer
- **Face to Face:** API609,BS5155,DIN3202,ISO5752
- **Flange:** DIN,BS,UNI,ISO, ANSI, AS,JIS
- **Mounting Flange:** ISO5211
- **Working Pressure:** PN16(200PSI)
- **Appliaction:** HVAC,Water Supply&Sewage, Food&Beverage,Chemical/ petrochemical/processing, Power and Utilities,Paper and Pulp,Ship Building.

STANDARD MATERIALS OF MAIN PARTS

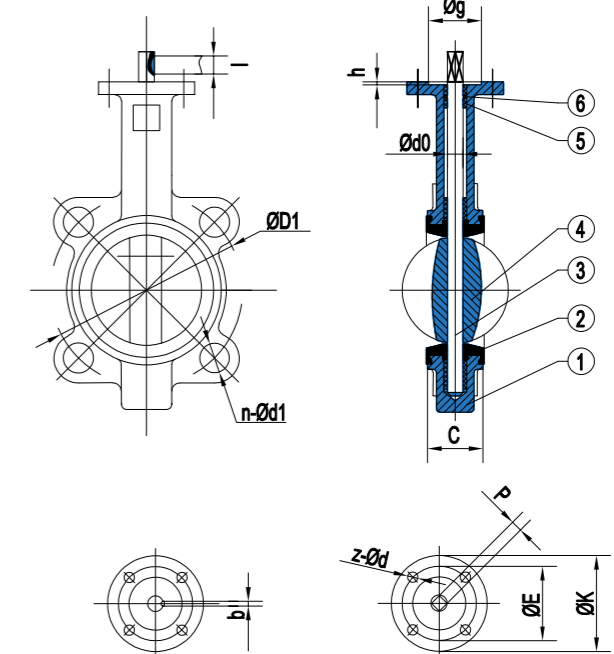
ITEM	PART NAME	MATERIAL
1	Body	CI/DI/CS/SS
2	Seat	EPDM/PTFENITON/NBR/Hypalon
3	Shaft	SS416/316/304
4	Disc	CF8/CF8M/DI+Ni
5	Pin	SS304/SS316
6	Bushing	PTFE/Bronze
7	O Ring	NBR/EPDM

DIMENSIONS:(mm)

SIZE		C	d0	K	E	z-d	g	h	p	bXl	PN16		PN10		ANSI 150		JIS 10K	
in	DN										D1	n-Ød1	D1	n-Ød1	D1	n-Ød1	D1	n-Ød1
2	50	42	12.6	77	50	4-7	35	3	9	3X16	125	4-18	125	4-18	120.5	4-19	120	4-19
2.5	65	44.7	12.6	77	50	4-7	35	3	9	3X16	145	4-18	145	4-18	139.5	4-19	140	4-19
3	80	45.2	12.6	77	50	4-7	35	3	9	3X16	160	8-18	160	8-18	152.5	4-19	150	4-19
4	100	52.1	15.77	90	70	4-9	55	3	11	5X19	180	8-18	180	8-18	190.5	8-19	175	8-19
5	125	54.4	18.92	90	70	4-9	55	3	14	5X19	210	8-18	210	8-18	216	8-22	210	8-23
6	150	55.8	18.92	90	70	4-9	55	3	14	5X19	240	8-23	240	8-23	241.5	8-22	240	8-23
8	200	60.6	22.1	125	102	4-12	70	3.5	17	5X19	295	12-23	295	8-23	298.5	8-22	290	12-23
10	250	65.6	28.45	125	102	4-12	70	3.5	22	8X28	355	12-27	350	12-23	362	12-25	355	12-25
12	300	76.9	31.6	125	102	4-12	70	3.5	22	8X28	410	12-27	400	12-23	432	12-25	400	16-25
14	350	76.9	31.6	125	102	4-12	70	3.5	22	8X28	470	16-27	460	16-23	476	12-29	445	16-25
16	400	86.5	33.15	175	140	4-18	100	4	24	10X50	525	16-30	515	16-27	540	16-29	510	16-27
18	450	105.6	38	175	140	4-18	100	4	27	10X50	585	20-30	565	20-27	578	16-32	565	20-27
20	500	127	41.15	175	140	4-18	100	4	32	10X50	650	20-33	620	20-27	635	20-32	620	20-27
24	600	152	50.65	210	165	4-23	130	5	36	2-16X60	770	24-36	725	20-30	749.5	20-35	730	24-33
28	700	163	55	300	254	8-18	200	5.5		2-18X63	840	24-36	840	24-30	863.5	28-35	840	24-33
30	750	165	55	300	254	8-18	200	5.5		2-18X63	914	24-39	914	24-33	914.5	28-11/4"	900	24-33
32	800	188	55	300	254	8-18	200	5.5		2-18X63	950	24-39	950	24-33	978	28-41	950	28-33
36	900	203	75	300	254	8-18	200	5.5		2-20X100	1050	28-39	1050	28-33	1086	32-41	1050	28-33
40	1000	216	85	300	254	8-18	200	5.5		2-20X100	1170	28-42	1160	28-36	1200	36-41	1160	28-39
42	1050	251	95	300	254	8-18	200	5.5		2-25X140	1257	32-44	1257	32-37	1257.5	36-41	1270	28-39
48	1200	276	105	350	298	8-23	230	5.5		2-28X140	1390	32-50	1380	32-41	1422.5	40-41	1380	32-39



Wafer Butterfly Valve (with tongue And Groove Seat Without Pin)



- **Type:** Wafer
- **Face to Face:** API609,BS5155,DIN3202,ISO5752
- **Flange:** DIN,BS,UNI,ISO, ANSI, AS,JIS
- **Mounting Flange:** ISO5211
- **Working Pressure:** PN16(200PSI)
- **Appliaction:** HVAC,Water Supply&Sewage, Food&Beverage,Chemical/ petrochemical/processing, Power and Utilities,Paper and Pulp,Ship Building.

STANDARD MATERIALS OF MAIN PARTS

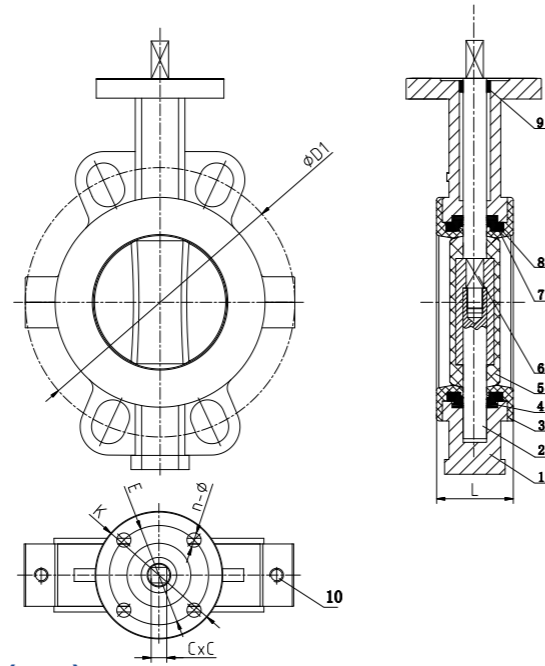
ITEM	PART NAME	MATERIAL
1	Body	CI/DI/CS/SS
2	Seat	EPDM/PTFENITON/NBR/Hypalon
3	Shaft	SS416/316/304
4	Disc	CF8/CF8M/DI+Ni
5	Bushing	PTFE/Bronze
6	O Ring	NBR/EPDM

DIMENSIONS:(mm)

SIZE		C	d0	K	E	z-d	g	h	p	bXl	PN16		PN10		ANSI 150		JIS 10K	
in	DN										D1	n-Ød1	D1	n-Ød1	D1	n-Ød1	D1	n-Ød1
2	50	42	12.6	77	50	4-7	35	3	9	3X16	125	4-18	125	4-18	120.5	4-19	120	4-19
2.5	65	44.7	12.6	77	50	4-7	35	3	9	3X16	145	4-18	145	4-18	139.5	4-19	140	4-19
3	80	45.2	12.6	77	50	4-7	35	3	9	3X16	160	8-18	160	8-18	152.5	4-19	150	4-19
4	100	52.1	15.77	90	70	4-9	55	3	11	5X19	180	8-18	180	8-18	190.5	8-19	175	8-19
5	125	54.4	18.92	90	70	4-9	55	3	14	5X19	210	8-18	210	8-18	216	8-22	210	8-23
6	150	55.8	18.92	90	70	4-9	55	3	14	5X19	240	8-23	240	8-23	241.5	8-22	240	8-23
8	200	60.6	22.1	125	102	4-12	70	3.5	17	5X19	295	12-23	295	8-23	298.5	8-22	290	12-23
10	250	65.6	28.45	125	102	4-12	70	3.5	22	8X28	355	12-27	350	12-23	362	12-25	355	12-25
12	300	76.9	31.6	125	102	4-12	70	3.5	22	8X28	410	12-27	400	12-23	432	12-25	400	16-25
14	350	76.9	31.6	125	102	4-12	70	3.5	22	8X28	470	16-27	460	16-23	476	12-29	445	16-25
16	400	86.5	33.15	175	140	4-18	100	4	24	10X50	525	16-30	515	16-27	540	16-29	510	16-27
18	450	105.6	38	175	140	4-18	100	4	27	10X50	585	20-30	565	20-27	578	16-32	565	20-27
20	500	127	41.15	175	140	4-18	100	4	32	10X50	650	20-33	620	20-27	635	20-32	620	20-27
24	600	152	50.65	210	165	4-23	130	5	36	2-16X60	770	24-36	725	20-30	749.5	20-35	730	24-33
28	700	163	55	300	254	8-18	200	5.5		2-18X63	840	24-36	840	24-30	863.5	28-35	840	24-33
30	750	165	55	300	254	8-18	200	5.5		2-18X63	914	24-39	914	24-33	914.5	28-11/4"	900	24-33
32	800	188	55	300	254	8-18	200	5.5		2-18X63	950	24-39	950	24-33	978	28-41	950	28-33
36	900	203	75	300	254	8-18	200	5.5		2-20X100	1050	28-39	1050	28-33	1086	32-41	1050	28-33
40	1000	216	85	300	254	8-18	200	5.5		2-20X100	1170	28-42	1160	28-36	1200	36-41	1160	28-39
42	1050	251	95	300	254	8-18	200	5.5		2-25X140	1257	32-44	1257	32-37	1257.5	36-41	1270	28-39
48	1200	276	105	350	298	8-23	230	5.5		2-28X140	1390	32-50	1380	32-41	1422.5	40-41	1380	32-39



PTFE Coated Butterfly Valve(Wafer Type)



- **Type:** Wafer
- **Face to Face:** API609,BS5155,DIN3202,ISO5752
- **Flange:** DIN,BS,UNI,ISO, ANSI, AS,JIS
- **Mounting Flange:** ISO5211
- **Working Pressure:** PN16(200PSI)
- **Application:** HVAC,Water Supply&Sewage, Food&Beverage,Chemical/ petrochemical/processing, Power and Utilities,Paper and Pulp,Ship Building.

DIMENSIONS:(mm)

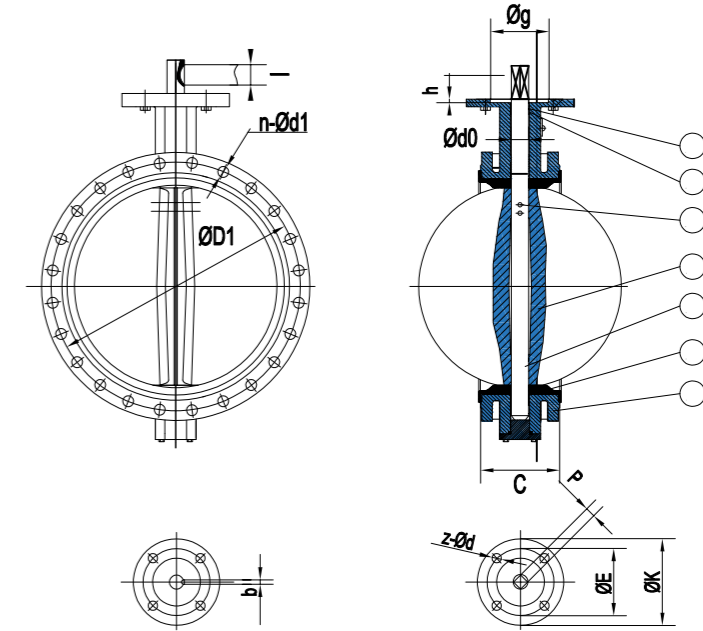
SIZE	D1 150LB	D1 PN10	D1 PN16	D1 10K	L	CXC	ISO5211	K	E	n-Ø
DN50	120.7	125	125	120	43	9X9	F07	90	70	50
DN65	139.7	145	145	140	46	9X9	F07	90	70	65
DN80	152.4	160	160	150	46	9X9	F07	90	70	80
DN100	190.5	180	180	175	52	11X11	F07	90	70	100
DN125	215.9	210	210	210	56	14X14	F07	90	70	125
DN150	241.3	240	240	240	56	14X14	F07	90	70	150
DN200	298.5	295	295	290	60	17X17	F10	125	102	200
DN250	362	350	355	355	68	22X22	F10	125	102	250
DN300	431.8	400	410	400	78	22X22	F10	125	102	300

STANDARD MATERIALS OF MAIN PARTS

10	BOLT	SS304	2/4
9	BUSHING	PTFE	1
8	PRESSING SLEEVE	STAINLESS STEEL	2
7	SEAT ENERQIZER	SILICONE	2
6	UP SHAFT	SS410/SS304/SS316	1
5	DISC	CF8M+PTFE	1
4	BUTTERFLY SPRING	SPRING STEEL	8
3	LINER(SEAT)	PTFE	1
2	DOWN SHAFT	SS410	1
1	BODY	CI/DI	2
NO.	NAME	MATERIAL	QTY
TEST PRESSURE	CWP:10 BAR	SHELL	SEAL
	HYDROSTATIC	15BAR	11BAR
	AIR		
STANDARD	DESIGN	AP1609	
	INSPECTION & TEST	API598	
	END STANDARD	EN1092-2 PN6/10/16/AS"D"E"/JIS B2220 10K/ASME B16.5 150LB	
	FACE TO FACE	API609	



Flange Butterfly Valve



- **Type:** Flange
- **Face to Face:** API609,BS5155,DIN3202,ISO5752
- **Flange:** DIN,BS,UNI,ISO, ANSI, AS,JIS
- **Mounting Flange:** ISO5211
- **Working Pressure:** PN16(200PSI)
- **Application:** HVAC,Water Supply&Sewage, Food&Beverage,Chemical/ petrochemical/processing, Power and Utilities,Paper and Pulp,Ship Building.

STANDARD MATERIALS OF MAIN PARTS

ITEM	PART NAME	MATERIAL
1	Body	CI/DI/CS/SS
2	Seat	EPDM/PTFENITON/NBR/Hypalon
3	Shaft	SS416/316/304
4	Disc	CF8/CF8M/DI+Ni
5	Pin	SS304/SS316
6	Bushing	PTFE/Bronze
7	O Ring	NBR/EPDM

DIMENSIONS:(mm)

SIZE	in	DN	C	d0	K	E	z-d	g	h	p	bXl	PN16		PN10		ANSI 150		JIS 10K	
												D1	n-Ød1	D1	n-Ød1	D1	n-Ød1	D1	n-Ød1
2	50	42	12.6	77	50	4-7	35	3	9	3X16	125	4-18	125	4-18	120.5	4-19	120	4-19	
2.5	65	44.7	12.6	77	50	4-7	35	3	9	3X16	145	4-18	145	4-18	139.5	4-19	140	4-19	
3	80	45.2	12.6	77	50	4-7	35	3	9	3X16	160	8-18	160	8-18	152.5	4-19	150	4-19	
4	100	52.1	15.77	90	70	4-9	55	3	11	5X19	180	8-18	180	8-18	190.5	8-19	175	8-19	
5	125	54.4	18.92	90	70	4-9	55	3	14	5X19	210	8-18	210	8-18	216	8-22	210	8-23	
6	150	55.8	18.92	90	70	4-9	55	3	14	5X19	240	8-23	240	8-23	241.5	8-22	240	8-23	
8	200	60.6	22.1	125	102	4-12	70	3.5	17	5X19	295	12-23	295	8-23	298.5	8-22	290	12-23	
10	250	65.6	28.45	125	102	4-12	70	3.5	22	8X28	355	12-27	350	12-23	362	12-25	355	12-25	
12	300	76.9	31.6	125	102	4-12	70	3.5	22	8X28	410	12-27	400	12-23	432	12-25	400	16-25	
14	350	76.9	31.6	125	102	4-12	70	3.5	22	8X28	470	16-27	460	16-23	476	12-29	445	16-25	
16	400	86.5	33.15	175	140	4-18	100	4	24	10X50	525	16-30	515	16-27	540	16-29	510	16-27	
18	450	105.6	38	175	140	4-18	100	4	27	10X50	585	20-30	565	20-27	578	16-32	565	20-27	
20	500	127	41.15	175	140	4-18	100	4	32	10X50	650	20-33	620	20-27	635	20-32	620	20-27	
24	600	152	50.65	210	165	4-23	130	5	36	2-16X60	770	24-36	725	20-30	749.5	20-35	730	24-33	
28	700	163	55	300	254	8-18	200	5.5		2-18X63	840	24-36	840	24-30	863.5	28-35	840	24-33	
30	750	165	55	300	254	8-18	200	5.5		2-18X63	914	24-39	914	24-33	914.5	28-11/4"	900	24-33	
32	800	188	55	300	254	8-18	200	5.5		2-18X63	950	24-39	950	24-33	978	28-41	950	28-33	
36	900	203	75	300	254	8-18	200	5.5		2-20X100	1050	28-39	1050	28-33	1086	32-41	1050	28-33	
40	1000	216	85	300	254	8-18	200	5.5		2-20X100	1170	28-42	1160	28-36	1200	36-41	1160	28-39	
42	1050	251	95	300	254	8-18	200	5.5		2-25X140	1257	32-44	1257	32-37	1257.5	36-41	1270	28-39	
48	1200	276	105	350	298	8-23	230	5.5		2-28X140	1390	32-50	1380	32-41	1422.5	40-41	1380	32-39	

CONCENTRIC BUTTERFLY VALVE

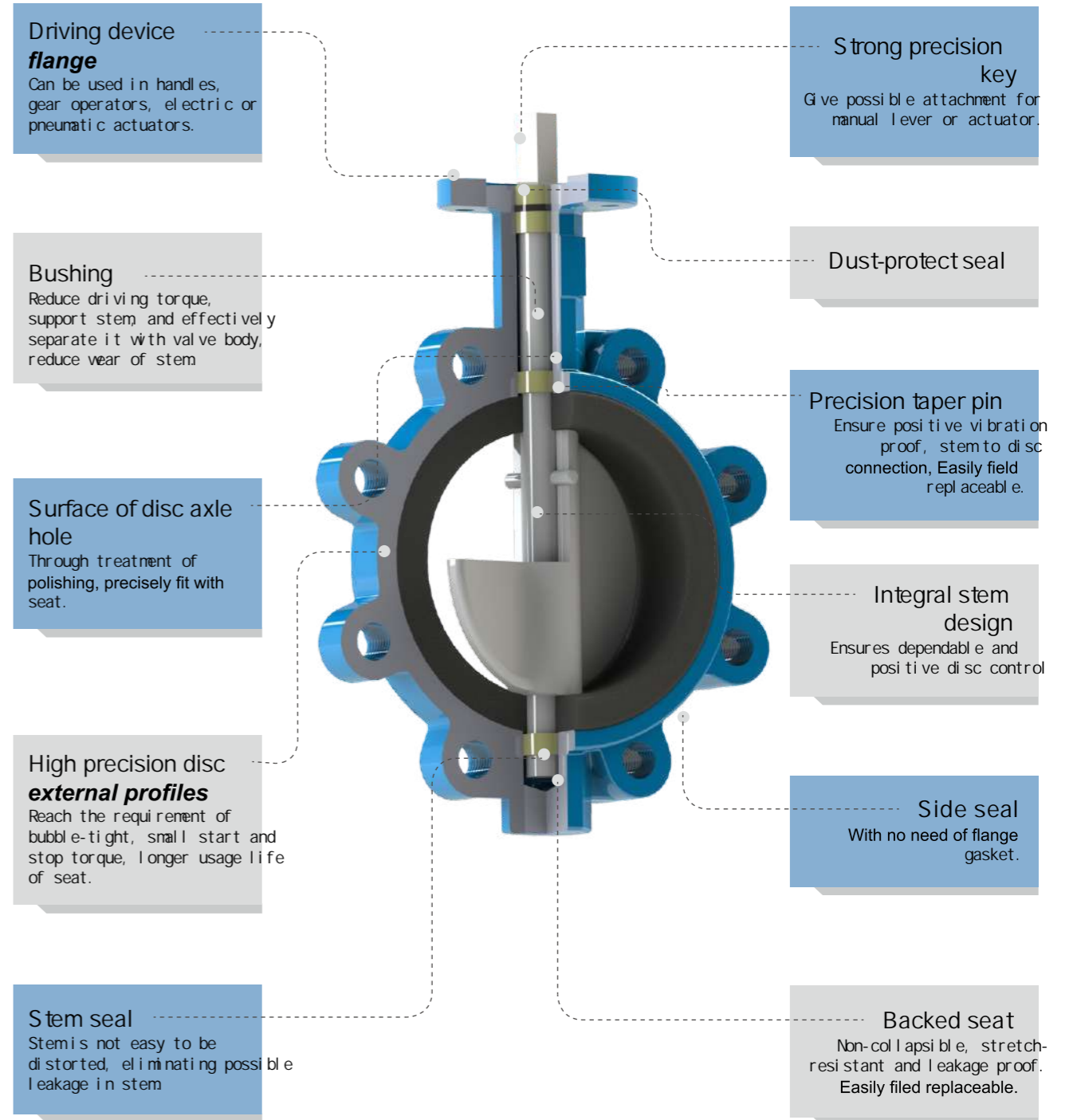


Water works and water resource project
 Environment protection
 Public facilities
 Power and public utilities
 Building industry
 Petroleum chemical
 Steel, metallurgy
 Paper making industry
 Foods, Beverage



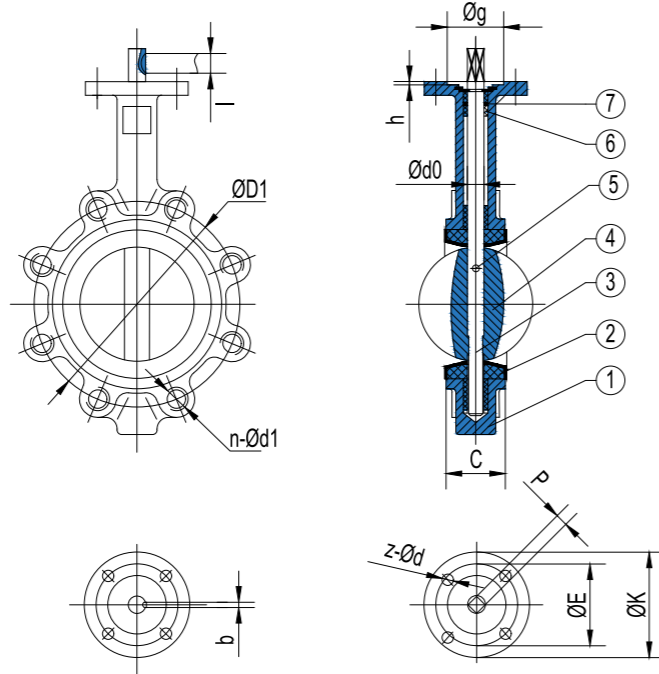
Butterfly valve as used as shutting-off or throttling unit for petroleum processing, chemicals, food, medicine, textile, paper making, hydroelectricity engineering as well as light industry, etc. it can be installed in any selected position.

Through precise manufacturing, the main parts of this butterfly valve ensure valve's operation in long stable and reliable condition.





Lug Butterfly Valve(Through Shaft With Pin)



- **Type:**
Lugged
- **Face to Face:**
API609,BS5155,DIN3202,ISO5752
- **Flange:**
DIN,BS,UNI,ISO, ANSI, AS,JIS
- **Mounting Flange:**
ISO5211
- **Working Pressure:**
PN16(200PSI)
- **Application:**
HVAC,Water Supply&Sewage,
Food&Beverage,Chemical/
petrochemical/processing,
Power and Utilities,Paper
and Pulp,Ship Building.

STANDARD MATERIALS OF MAIN PARTS

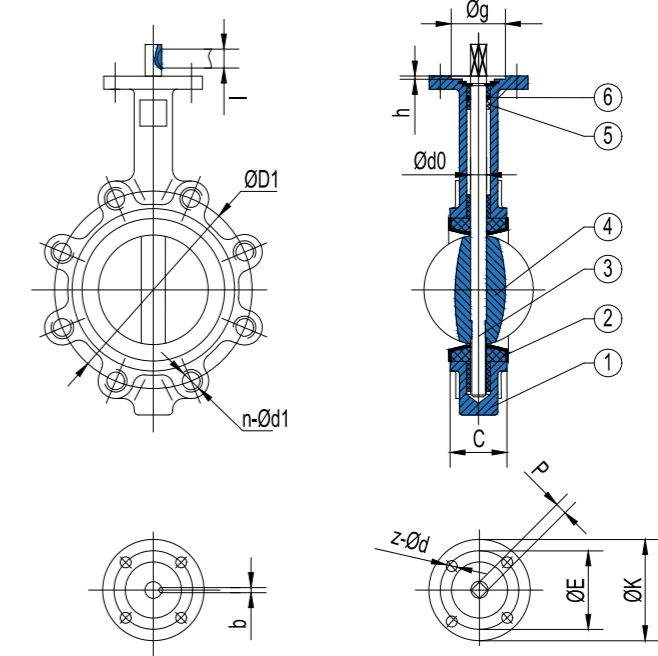
ITEM	PART NAME	MATERIAL
1	Body	CI/DI/CS/SS
2	Seat	EPDM/PTFENITON/NBR/Hypalon
3	Shaft	SS416/316/304/CS
4	Disc	CF8/CF8M/DI+Ni/SS304
5	Pin	SS
6	Bushing	PTFE/Bronze
7	O Ring	NBR/EPDM

DIMENSIONS:(mm)

SIZE		C	d0	K	E	z-d	g	h	p	bXl	PN16		PN10		ANSI 150		JIS 10K	
in	DN										D1	n-M	D1	n-M	D1	n-M	D1	n-M
2	50	42	12.6	77	50	4-7	35	3	9	3X16	125	4-M16	125	4-M16	120.5	4-5/8"	120	4-M16
2.5	65	44.7	12.6	77	50	4-7	35	3	9	3X16	145	4-M16	145	4-M16	139.5	4-5/8"	140	4-M16
3	80	45.2	12.6	77	50	4-7	35	3	9	3X16	160	8-M16	160	8-M16	152.5	4-5/8"	150	4-M16
4	100	52.1	15.77	90	70	4-9	55	3	11	5X19	180	8-M16	180	8-M16	190.5	8-5/8"	175	8-M16
5	125	54.4	18.92	90	70	4-9	55	3	14	5X19	210	8-M16	210	8-M16	216	8-3/4"	210	8-M20
6	150	55.8	18.92	90	70	4-9	55	3	14	5X19	240	8-M20	240	8-M20	241.5	8-3/4"	240	8-M20
8	200	60.6	22.1	125	102	4-12	70	3.5	17	5X19	295	12-M20	295	8-M20	298.5	8-3/4"	290	12-M20
10	250	65.6	28.45	125	102	4-12	70	3.5	22	8X28	355	12-M24	350	12-M20	362	12-7/8"	355	12-M22
12	300	76.9	31.6	125	102	4-12	70	3.5	22	8X28	410	12-M24	400	12-M20	432	12-7/8"	400	16-M22
14	350	76.9	31.6	125	102	4-12	70	3.5	22	8X28	470	16-M24	460	16-M20	476	12-1"	445	16-M22
16	400	86.5	33.15	175	140	4-18	100	4	24	10X50	525	20-M27	515	16-M24	540	16-1"	510	16-M24
18	450	105.6	38	175	140	4-18	100	4	27	10X50	585	20-M27	565	20-M24	578	16-11/8"	565	20-M24
20	500	127	41.15	175	140	4-18	100	4	32	10X50	650	20-M30	620	20-M24	635	20-11/8"	620	20-M24
24	600	152	50.65	210	165	4-23	130	5	36	2-16X60	770	20-M33	725	20-M27	749.5	20-11/4"	730	24-M30
28	700	163	55	300	254	8-18	200	5.5		2-18X63	840	24-M33	840	24-M27	863.5	24-11/4"	840	24-M30
30	750	165	55	300	254	8-18	200	5.5		2-18X63	914	24-M36	914	24-M30	914.5	28-11/4"	900	24-M30
32	800	188	55	300	254	8-18	200	5.5		2-18X63	950	24-M36	950	24-M30	978	28-11/2"	950	28-M30
36	900	203	75	300	254	8-18	200	5.5		2-20X100	1050	28-M36	1050	28-M30	1086	32-11/2"	1050	28-M30
40	1000	216	85	300	254	8-18	200	5.5		2-20X100	1170	28-M39	1160	28-M33	1200	36-11/2"	1160	28-M36
42	1050	251	95	300	254	8-18	200	5.5		2-25X140	1257	32-M39	1257	32-M36	1257.5	36-11/2"	1270	28-M36
48	1200	276	105	350	298	8-23	230	5.5		2-28X140	1390	32-M45	1380	32-M39	1422.5	36-11/2"	1380	32-M36



Lug Butterfly Valve (Through Shaft Without Pin)



- **Type:**
Lugged
- **Face to Face:**
API609,BS5155,DIN3202,ISO5752
- **Flange:**
DIN,BS,UNI,ISO, ANSI, AS,JIS
- **Mounting Flange:**
ISO5211
- **Working Pressure:**
PN16(200PSI)
- **Application:**
HVAC,Water Supply&Sewage,
Food&Beverage,Chemical/
petrochemical/processing,
Power and Utilities,Paper
and Pulp,Ship Building.

STANDARD MATERIALS OF MAIN PARTS

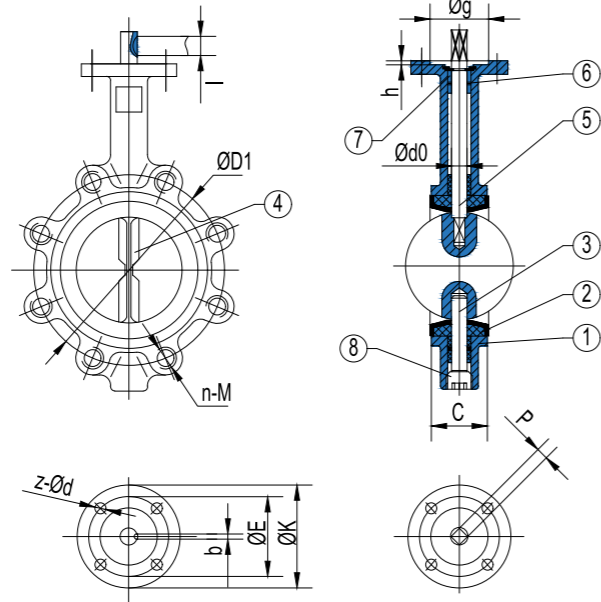
ITEM	PART NAME	MATERIAL
1	Body	CI/DI/CS/SS
2	Seat	EPDM/PTFENITON/NBR/Hypalon
3	Shaft	SS416/316/304/CS
4	Disc	CF8/CF8M/DI+Ni/SS304
5	Bushing	PTFE/Bronze
6	O Ring	NBR/EPDM

DIMENSIONS:(mm)

SIZE		C	d0	K	E	z-d	g	h	p	bXl	PN16		PN10		ANSI 150		JIS 10K	
in	DN										D1	n-M	D1	n-M	D1	n-M	D1	n-M
2	50	42	12.6	77	50	4-7	35	3	9	3X16	125	4-M16	125	4-M16	120.5	4-5/8"	120	4-M16
2.5	65	44.7	12.6	77	50	4-7	35	3	9	3X16	145	4-M16	145	4-M16	139.5	4-5/8"	140	4-M16
3	80	45.2	12.6	77	50	4-7	35	3	9	3X16	160	8-M16	160	8-M16	152.5	4-5/8"	150	4-M16
4	100	52.1	15.77	90	70	4-9	55	3	11	5X19	180	8-M16	180	8-M16	190.5	8-5/8"	175	8-M16
5	125	54.4	18.92	90	70	4-9	55	3	14	5X19	210	8-M16	210	8-M16	216	8-3/4"	210	8-M20
6	150	55.8	18.92	90	70	4-9	55	3	14	5X19	240	8-M20	240	8-M20	241.5	8-3/4"	240	8-M20
8	200	60.6	22.1	125	102	4-12	70	3.5	17	5X19	295	12-M20	295	8-M20	298.5	8-3/4"	290	12-M20
10	250	65.6	28.45	125	102	4-12	70	3.5	22	8X28	355	12-M24	350	12-M20	362	12-7/8"	355	12-M22
12	300	76.9	31.6	125	102	4-12	70	3.5	22	8X28	410	12-M24	400	12-M20	432	12-7/8"	400	16-M22
14	350	76.9	31.6	125	102	4-12	70	3.5	22	8X28	470	16-M24	460	16-M20	476	12-1"	445	16-M22
16	400	86.5	33.15	175	140	4-18	100	4	24	10X50	525	20-M27	515	16-M24	540	16-1"	510	16-M24
18	450	105.6	38	175	140	4-18	100	4	27	10X50	585	20-M27	565	20-M24	578	16-11/8"	565	20-M24
20	500	127	41.15	175	140	4-18	100	4	32	10X50	650	20-M30	620	20-M24	635	20-11/8"	620	20-M24
24	600	152	50.65	210	165	4-23	130	5	36	2-16X60	770	20-M33	725	20-M27	749.5	20-11/4"	730	24-M30
28	700	163	55	300	254	8-18	200	5.5		2-18X63	840	24-M33	840	24-M27	863.5	24-11/4"	840	24-M30
30	750	165	55	300	254	8-18	200	5.5		2-18X63	914	24-M36	914	24-M30	914.5	28-11/4"	900	24-M30
32	800	188	55	300	254	8-18	200	5.5		2-18X63	950	24-M36	950	24-M30	978	28-11/2"	950	28-M30
36	900	203	75	300	254	8-18	200	5.5		2-20X100	1050	28-M36	1050	28-M30	1086	32-11/2"	1050	28-M30
40	1000	216	85	300	254	8-18	200	5.5		2-20X100	1170	28-M39	1160	28-M33	1200	36-11/2"	1160	28-M36
42	1050	251	95	300	254	8-18	200	5.5		2-25X140	1257	32-M39	1257	32-M36	1257.5	36-11/2"	1270	28-M36
48	1200	276	105	350	298	8-23	230	5.5		2-28X140	1390	32-M45	1380	32-M39	1422.5	36-11/2"	1380	32-M36



Lug Butterfly Valve (Half Shaft Without Pin)



- **Type:**
Lugged
- **Face to Face:**
API609,BS5155,DIN3202,ISO5752
- **Flange:**
DIN,BS,UNI,ISO, ANSI, AS,JIS
- **Mounting Flange:**
ISO5211
- **Working Pressure:**
PN16(200PSI)
- **Application:**
HVAC,Water Supply&Sewage, Food&Beverage,Chemical/ petrochemical/processing, Power and Utilities,Paper and Pulp,Ship Building.

STANDARD MATERIALS OF MAIN PARTS

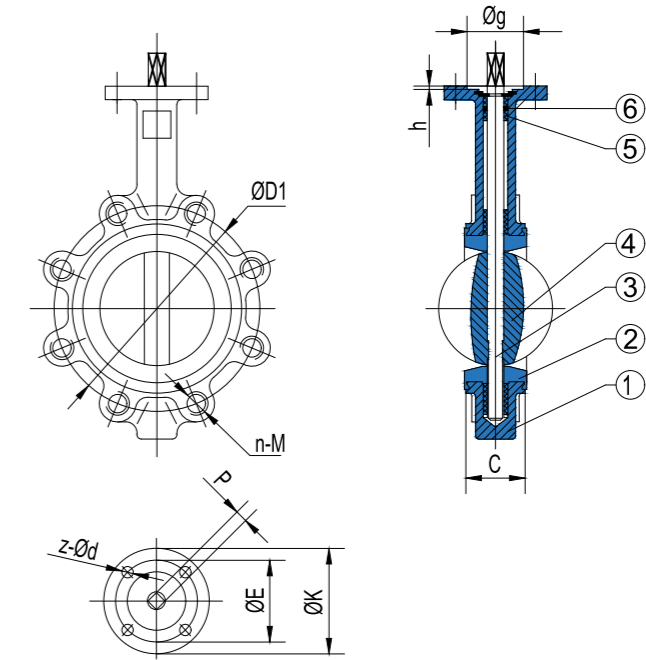
ITEM	PART NAME	MATERIAL
1	Body	CI/DI/CS/SS
2	Seat	EPDM/NBR/PTFE/Viton/Hypalon
3	Lower Shaft	SS416/316/304
4	Disc	CF8/CF8M/DI+Ni/CF8+PTFE/CF8M+PTFE
5	Upper Shaft	SS416,316,304
6	O Ring	NBR/EPDM
7	Bushing	PTFE
8	BOLTS	CS

DIMENSIONS:(mm)

SIZE		C	d0	K	E	z-d	g	h	p	bXl	PN16		PN10		ANSI 150		JIS 10K	
in	DN										D1	n-M	D1	n-M	D1	n-M	D1	n-M
2	50	42	12.6	77	50	4-7	35	3	9	3X16	125	4-M16	125	4-M16	120.5	4-5/8"	120	4-M16
2.5	65	44.7	12.6	77	50	4-7	35	3	9	3X16	145	4-M16	145	4-M16	139.5	4-5/8"	140	4-M16
3	80	45.2	12.6	77	50	4-7	35	3	9	3X16	160	8-M16	160	8-M16	152.5	4-5/8"	150	4-M16
4	100	52.1	15.77	90	70	4-9	55	3	11	5X19	180	8-M16	180	8-M16	190.5	8-5/8"	175	8-M16
5	125	54.4	18.92	90	70	4-9	55	3	14	5X19	210	8-M16	210	8-M16	216	8-3/4"	210	8-M20
6	150	55.8	18.92	90	70	4-9	55	3	14	5X19	240	8-M20	240	8-M20	241.5	8-3/4"	240	8-M20
8	200	60.6	22.1	125	102	4-12	70	3.5	17	5X19	295	12-M20	295	8-M20	298.5	8-3/4"	290	12-M20
10	250	65.6	28.45	125	102	4-12	70	3.5	22	8X28	355	12-M24	350	12-M20	362	12-7/8"	355	12-M22
12	300	76.9	31.6	125	102	4-12	70	3.5	22	8X28	410	12-M24	400	12-M20	432	12-7/8"	400	16-M22
14	350	76.9	31.6	125	102	4-12	70	3.5	22	8X28	470	16-M24	460	16-M20	476	12-1"	445	16-M22
16	400	86.5	33.15	175	140	4-18	100	4	24	10X50	525	20-M27	515	16-M24	540	16-1"	510	16-M24
18	450	105.6	38	175	140	4-18	100	4	27	10X50	585	20-M27	565	20-M24	578	16-11/8"	565	20-M24
20	500	127	41.15	175	140	4-18	100	4	32	10X50	650	20-M30	620	20-M24	635	20-11/8"	620	20-M24
24	600	152	50.65	210	165	4-23	130	5	36	2-16X60	770	20-M33	725	20-M27	749.5	20-11/4"	730	24-M30
28	700	163	55	300	254	8-18	200	5.5		2-18X63	840	24-M33	840	24-M27	863.5	24-11/4"	840	24-M30
30	750	165	55	300	254	8-18	200	5.5		2-18X63	914	24-M36	914	24-M30	914.5	28-11/4"	900	24-M30
32	800	188	55	300	254	8-18	200	5.5		2-18X63	950	24-M36	950	24-M30	978	28-11/2"	950	28-M30
36	900	203	75	300	254	8-18	200	5.5		2-20X100	1050	28-M36	1050	28-M30	1086	32-11/2"	1050	28-M30
40	1000	216	85	300	254	8-18	200	5.5		2-20X100	1170	28-M39	1160	28-M33	1200	36-11/2"	1160	28-M36
42	1050	251	95	300	254	8-18	200	5.5		2-25X140	1257	32-M39	1257	32-M36	1257.5	36-11/2"	1270	28-M36
48	1200	276	105	350	298	8-23	230	5.5		2-28X140	1390	32-M45	1380	32-M39	1422.5	36-11/2"	1380	32-M36



Lug Butterfly Valve (PTFE Through Shaft Without Pin)



- **Type:**
Lugged
- **Face to Face:**
API609,BS5155,DIN3202,ISO5752
- **Flange:**
DIN,BS,UNI,ISO, ANSI, AS,JIS
- **Mounting Flange:**
ISO5211
- **Working Pressure:**
PN16(200PSI)
- **Application:**
HVAC,Water Supply&Sewage, Food&Beverage,Chemical/ petrochemical/processing, Power and Utilities,Paper and Pulp,Ship Building.

STANDARD MATERIALS OF MAIN PARTS

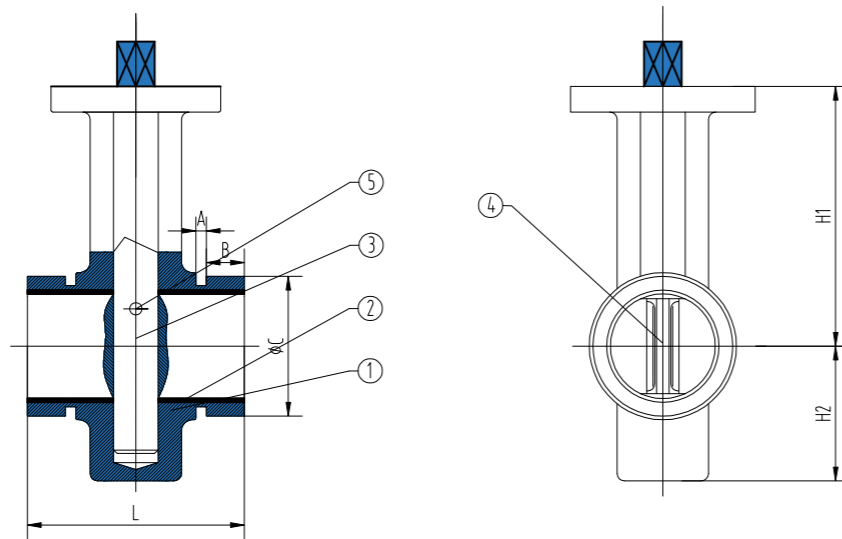
ITEM	PART NAME	MATERIAL
1	Body	CI/DI/SS
2	Seat	EPDM/NBR/Viton
3	Shaft	SS416/316/304
4	Disc	DI+NI/CF8/CF8M
5	Bushing	PTFE
6	O Ring	NBR

DIMENSIONS:(mm)

SIZE		C	d0	K	E	z-d	g	h	p	bXl	PN16		PN10		ANSI 150		JIS 10K	
in	DN										D1	n-M	D1	n-M	D1	n-M	D1	n-M
2	50	42	12.6	77	50	4-7	35	3	9	3X16	125	4-M16	125	4-M16	120.5	4-5/8"	120	4-M16
2.5	65	44.7	12.6	77	50	4-7	35	3	9	3X16	145	4-M16	145	4-M16	139.5	4-5/8"	140	4-M16
3	80	45.2	12.6	77	50	4-7	35	3	9	3X16	160	8-M16	160	8-M16	152.5	4-5/8"	150	4-M16
4	100	52.1	15.77	90	70	4-9	55	3	11	5X19	180	8-M16	180	8-M16	190.5	8-5/8"	175	8-M16
5	125	54.4	18.92	90	70	4-9	55	3	14	5X19	210	8-M16	210	8-M16	216	8-3/4"	210	8-M20
6	150	55.8	18.92	90	70	4-9	55	3	14	5X19	240	8-M20	240	8-M20	241.5	8-3/4"	240	8-M20
8	200	60.6	22.1	125	102	4-12	70	3.5	17	5X19	295	12-M20	295	8-M20	298.5	8-3/4"	290	12-M20
10	250	65.6	28.45	125	102	4-12	70	3.5	22	8X28	355	12-M24	350	12-M20	362	12-7/8"	355	12-M22
12	300	76.9	31.6	125	102	4-12	70	3.5	22	8X28	410	12-M24	400	12-M20	432	12-7/8"	400	16-M22
14	350	76.9	31.6	125	102	4-12	70	3.5	22	8X28	470	16-M24	460	16-M20	476	12-1"	445	16-M22
16	400	86.5	33.15	175	140	4-18	100	4	24	10X50	525	20-M27	515	16-M24	540	16-1"	510	16-M24
18	450	105.6	38	175	140	4-18	100	4	27	10X50	585	20-M27	565	20-M24	578	16-11/8"	565	20-M24
20	500	127	41.15	175	140	4-18	100	4	32	10X50	650	20-M30	620	20-M24	635	20-11/8"	620	20-M24
24	600	152	50.65	210	165	4-23	130	5	36	2-16X60	770	20-M33	725	20-M27	749.5	20-11/4"	730	24-M30
28	700	163	55	300	254	8-18	200	5.5		2-18X63	840	24-M33	840	24-M27	863.5	24-11/4"	840	24-M30
30	750	165	55	300	254	8-18	200	5.5		2-18X63	914	24-M36	914	24-M30	914.5	28-11/4"	900	24-M30
32	800	188	55	300	254	8-18	200	5.5		2-18X63	950	24-M36	950	24-M30	978	28-11/2"	950	28-M30
36	900	203	75	300	254	8-18	200	5.5		2-20X100	1050	28-M36	1050	28-M30	1086	32-11/2"	1050	28-M30
40	1000	216	85	300	254	8-18	200	5.5		2-20X100	1170	28-M39	1160	28-M33	1200	36-11/2"	1160	28-M36
42	1050	251	95	300	254	8-18	200	5.5		2-25X140	1257	32-M39	1257	32-M36	1257.5	36-11/2"	1270	28-M36
48	1200	276	105	350	298	8-23	230	5.5		2-28X140	1390	32-M45	1380	32-M39	1422.5	36-11/2"	1380	32-M36



Grooved End Butterfly Valve



- **Type:**
Clamp
- **Face to Face:**
API609,BS5155,DIN3202,ISO5752
- **Flange:**
DIN,BS,UNI,ISO, ANSI, AS,JIS
- **Mounting Flange:**
ISO5211
- **Working Pressure:**
PN16(200PSI)
- **Appliation:**
HVAC,Water Supply&Sewage,
Food&Beverage,Chemical/
petrochemical/processing,
Power and Utilities,Paper
and Pulp,Ship Building.

STANDARD MATERIALS OF MAIN PARTS

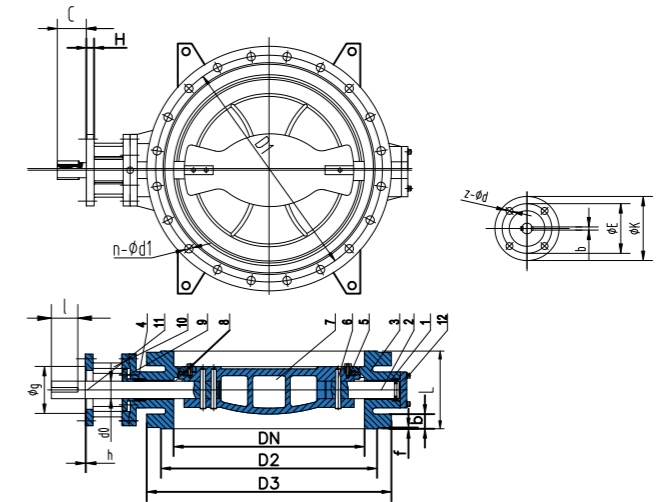
ITEM	PART NAME	MATERIAL
1	Body	DI
2	Seat	EPDM
3	Shaft	SS416
4	Disc	DI
5	Pin	SS416

DIMENSIONS:(mm)

SIZE		H1	H2	C	L	A	B
in	DN						
2	50	102	53	60	92	8	16
2.5	65	109	61	76	102	8	16
3	80	112	68	89	102	8	16
4	100	136	85	114	116	10	16
5	125	166	100	141	125	10	16
6	150	177	113	165	125	10	16
8	200	234	143	216	138	11	19
10	250	266	178	273	159	13	19
12	300	270	230	324	166	13	19



Resilient Seated Eccentric Flanged Butterfly Valve



- **Type:**
Flange
- **Face to Face:**
API609,BS5155,DIN3202,ISO5752
- **Flange:**
DIN,BS,UNI,ISO, ANSI, AS,JIS
- **Mounting Flange:**
ISO5211
- **Working Pressure:**
PN16(200PSI)
- **Appliation:**
HVAC,Water Supply&Sewage,
Food&Beverage,Chemical/
petrochemical/processing,
Power and Utilities,Paper
and Pulp,Ship Building.

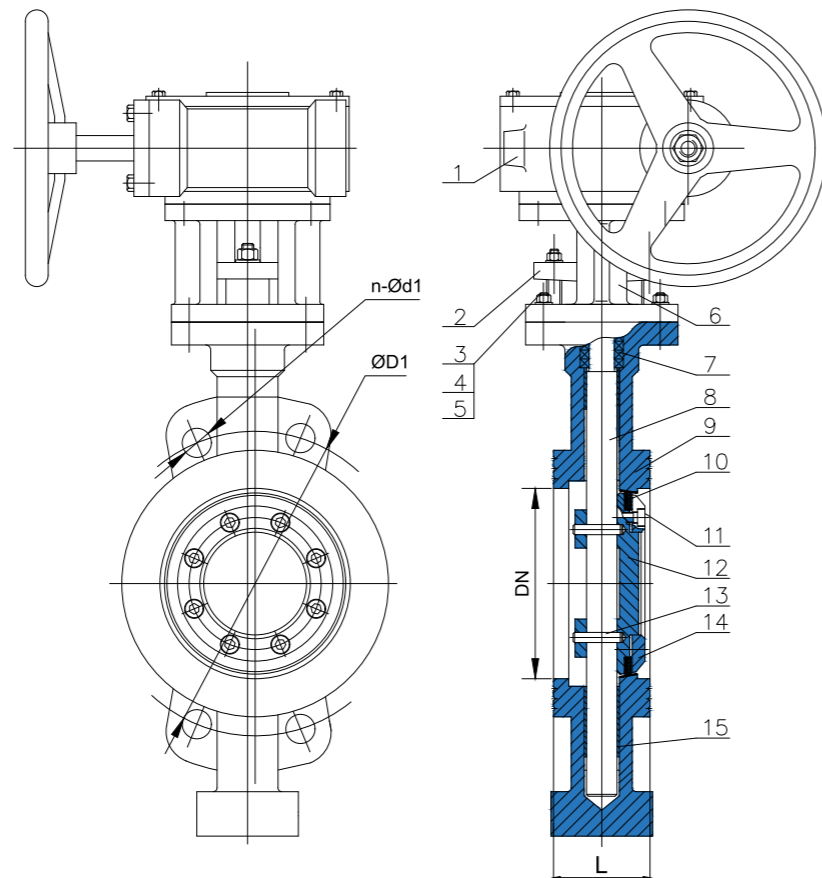
STANDARD MATERIALS OF MAIN PARTS

ITEM	PART NAME	MATERIAL
1	Bushing	BRONZE/EPDM
2	Bottom Shaft	SS420
3	Body	GGG50
4	Packing	EPDM
5	Retainer	CS EPOXY COATED
6	Taper Pin	SS416
7	Disc	GGG50
8	Disc Sealing	EPDM
9	Stuffing Flange	GGG50
10	Support	CS
11	Top Shaft	SS420
12	Cover	GGG50
13	All Fasteners	A2-70

DIMENSIONS:(mm)

SIZE		L		PN10								PN16								JIS 10K								ANSI 150				C	d0	Key b*1	UPPER FLANGE			
in	DN	13 Series	14 Series	D1	n-d1	D2	D3	b	f	D1	n-d1	D2	D3	b	f	D1	n-d1	D2	D3	b	f	D1	n-d1	D3	b	E	z-d	g-h										
4	100	127	190	180	8-18	156	220	19	3	180	8-19	156	220	19	3	175	8-19	151	210	18	2	190.5	8-19	230	22.3	39	16	5*30	90	70	4-10	55-2						
5	125	140	200	210	8-19	184	250	19	3	210	8-19	184	250	19	3	210	8-23	182	250	20	2	216	8-22	255	22.6	45	20	6*35	125	102	4-12	70-3						
6	150	140	210	240	8-23	211	285	19	3	240	8-23	211	285	19	3	240	8-23	212	280	22	2	241.5	8-22	280	23.9	45	20	6*35	125	102	4-12	70-3						
8	200	152	230	295	8-23	266	340	20	3	295	12-23	266	340	20	3	290	12-23	262	330	22	2	298.5	8-22	345	27	45	25	8*35	125	102	4-12	70-3						
10	250	165	250	350	12-23	319	395	22	3	355	12-28	319	405	22	3	355	12-25	324	400	24	2	362	12-25	405	28.6	45	25	8*35	125	102	4-12	70-3						
12	300	178	270	400	12-23	370	445	24.5	4	410	12-28	370	460	24.5	4	400	16-25	368	445	24	2	432	12-25	485	30.2	50	30	8*45	175	140	4-18	100-4						
14	350	190	290	460	16-23	429	505	24.5	4	470	16-28	429	520	26.5	4	445	16-25	413	490	26	3	476	12-29	535	33.4	50	40	12*45	210	165	4-22	130-5						
16	400	216	310	515	16-28	480	565	24.5	4	525	16-31	480	580	28	4	510	16-27	475	560	28	3	540	16-29	595	35	50	45	14*45	210	165	4-22	130-5						
18	450	222	330	565	20-28	530	615	25.5	4	585	20-31	548	640	30	4	585	20-27	530	620	30	3	578	16-32	635	38.1	50	45	14*45	210	165	4-22	130-5						
20	500	229	350	620	20-28	582	670	26.5	4	650	20-34	609	715	31.5	4	620	20-27	585	675	30	3	635	20-32	700	41.3	70	52	16*60	210	165	4-22	130-5						
24	600	267	390	725	20-31	682	780	30	5	770	20-37	720	840	36	5	730	24-33	690	795	32	3	749.5	20-35	815	46.1	90	55	2*16*70	300	254	8-18	200-5						
28	700	292	430	840	24-31	794	895	32.5	5	840	24-37	794	910	39.5	5	840	24-33	800	905	34	3	863.5	28-35	925	69.9	90	65	2*18*70	300	254	8-18	200-5						
32	800	318	470	950	24-34	901	1015	35	5	950	24-41	901	1025	43	5	950	28-33	905	1020	36	3	978	28-41	1060	79.4	100	70	2*20*80	300	254	8-18	200-5						
36	900	330	510	1050	28-34	1001	1115	37.5	5	1050	28-41	1001	1125	46.5	5	1050	28-33	1005	1120	38	3	1086	32-41	1170	88.9	100	80	2*22*80	300	254	8-18	200-5						
40	1000	410	550	1160	28-37	1112	1230	40	5	1170	28-44	1112	1255	50	5	1160	28-39	1110	1235	40	3	1200	36-41	1290	88.9	145	92	2*25*130	300	254	8-18	200-5						
48	1200	470	630	1380	32-41	1328	1455	45	5	1390	32-50	1328	1485	57	5	1380	32-39	1325	1465	44	3	1422.5	40-41	1510	106.4	145	100	2*28*130	350	298	8-22	230-5						

Metal Seated Eccentric Butterfly Valve (Wafer Type)



- **Type:** Wafer
- **Face to Face:** API609,BS5155,DIN3202,ISO5752
- **Flange:** DIN,BS,UNI,ISO, ANSI, AS,JIS
- **Mounting Flange:** ISO5211
- **Working Pressure:** PN16(200PSI)
- **Appliation:** HVAC,Water Supply&Sewage, Food&Beverage,Chemical/ petrochemical/processing, Power and Utilities,Paper and Pulp,Ship Building.

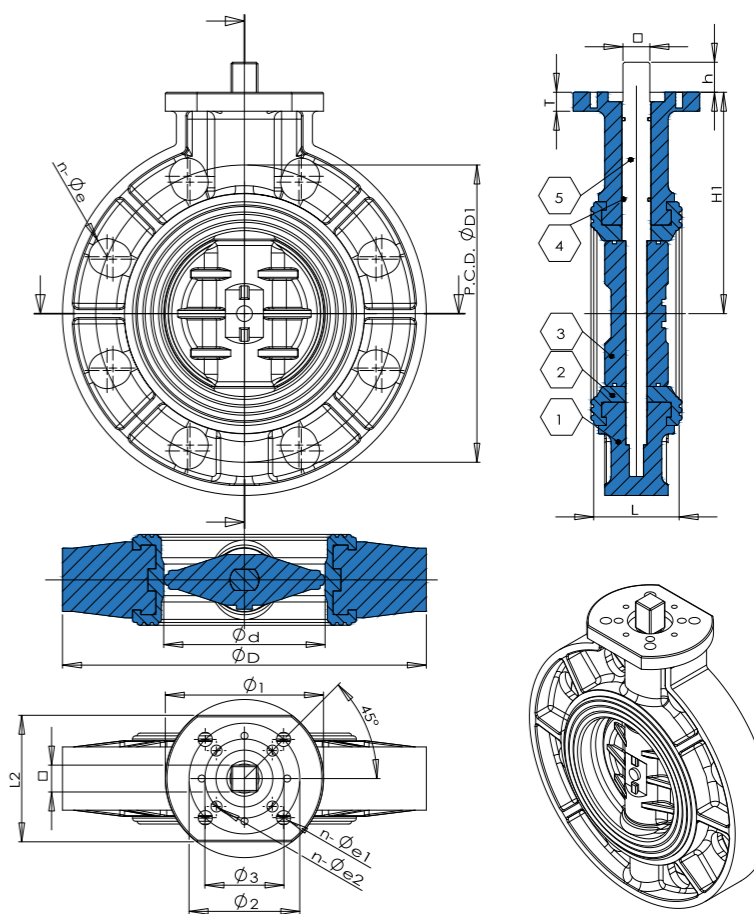
STANDARD MATERIALS OF MAIN PARTS

ITEM	PART NAME	MATERIAL
1	Gear Operator	
2	Packing Flange	CF8
3	Stud	CS
4	Washers	Spring Steel
5	Bolt	CS
6	Connecting Support	CF8
7	Packing	Flexible Graphite
8	Stem	SS410
9	Body	CF8M
10	Sealing Ring	SS304+Graphite
11	Bolt	CS
12	Disc	CF8
13	Pin	SS304
14	Disc Flange	CF8
15	Bushing	Nitriding

DIMENSIONS:(mm)

SIZE	in	DN	L	PN16		PN10		ANSI 150	
				D1	n-d1	D1	n-d1	D1	n-d1
2	50	43	125	4-18	125	4-18	120.5	4-19	
2.5	65	46	145	4-18	145	4-18	139.5	4-19	
3	80	49	160	4(8)-18	160	8-18	152.5	4-19	
4	100	56	180	4(8)-18	180	4(8)-18	190.5	4(8)-19	
5	125	64	210	4(8)-18	210	4(8)-18	216	4(8)-22	
6	150	70	240	4(8)-23	240	4(8)-23	241.5	4(8)-22	
8	200	71	295	4(12)-23	295	4(8)-23	298.5	4(8)-22	
10	250	76	355	4(12)-27	350	4(12)-23	362	4(12)-25	
12	300	83	410	4(12)-27	400	4(12)-23	432	4(12)-25	
14	350	92	470	4(16)-27	460	4(16)-23	476	4(12)-29	
16	400	102	525	4(16)-30	515	4(16)-27	539.5	4(16)-29	
18	450	114	585	4(20)-30	565	4(20)-27	578	4(16)-32	
20	500	127	650	4(20)-33	620	4(20)-27	635	4(20)-32	
24	600	154	770	4(20)-36	725	4(20)-30	749.5	4(20)-35	
28	700	165	840	4(24)-36	840	4(24)-30	863.6	4(28)-35	
32	800	190	950	4(24)-39	950	4(24)-33	977.9	4(28)-41	
36	900	203	1050	4(28)-39	1050	4(28)-33	1085.8	4(32)-41	
40	1000	216	1170	4(28)-42	1160	4(28)-36	1200.2	4(36)-41	

PVC Butterfly valve



- **Type:** Wafer
- **Face to Face:** API609,BS5155,DIN3202,ISO5752
- **Flange:** DIN,BS,UNI,ISO, ANSI, AS,JIS
- **Mounting Flange:** ISO5211
- **Working Pressure:** PN16(200PSI)
- **Appliation:** HVAC,Water Supply&Sewage, Food&Beverage,Chemical/ petrochemical/processing, Power and Utilities,Paper and Pulp,Ship Building.

STANDARD MATERIALS OF MAIN PARTS

ITEM	PART NAME	MATERIAL
1	Gear Operator	
2	Body	U-PVC
3	Seat seal	EPDM
4	Disc	U-PVC
5	O-Ring O	EDPM
6	Stem	CS

DIMENSIONS:(mm)

SIZE	"	2"	2 1/2"	3"	4"	5"	6"	8"
SIZE	DN	50	65	80	100	125	150	200
		160	180	196	228	258	287	344
	DIN	125	145	160	180	210	240	295
	ANSI	121	140	152	191	216	241	298
	JIS	120	140	150	175	210	240	290
		48	63	78	98	122	146	199
		43	46	49	54	64	70	88
		80	80	80	80	100	100	100
		100	100	100	100	140	140	140
		12	12	12	12	15	15	15
		70	70	70	70	102	102	102
ISO5211		F07	F07	F07	F07	F10	F10	F10
		50	50	50	50	70	70	
ISO5211		F05	F05	F05	F05	F07	F07	
	DIN	4-Ø19	4-Ø19	8-Ø19	8-Ø19	8-Ø19	8-Ø23	8-Ø23
	ANSI	4-Ø19	4-Ø19	4-Ø19	8-Ø19	8-Ø19	8-Ø23	8-Ø23
	JIS	4-Ø19	4-Ø19	8-Ø19	8-Ø19	8-Ø19	8-Ø23	12-Ø23
		4-Ø9	4-Ø9	4-Ø9	4-Ø9	4-Ø11	4-Ø11	4-Ø11
		4-Ø7	4-Ø7	4-Ø7	4-Ø7	4-Ø9	4-Ø9	
PN	MPa	1	1	1	1	1	1	0.6
PN		150	150	150	150	150	150	90
□		11	11/14	14/17	14/17	17/22	17/22	22
h		12	12/15	15/18	15/18	18/23	18/23	23
TORQUE	N.M	10	10	15	25	40	55	70



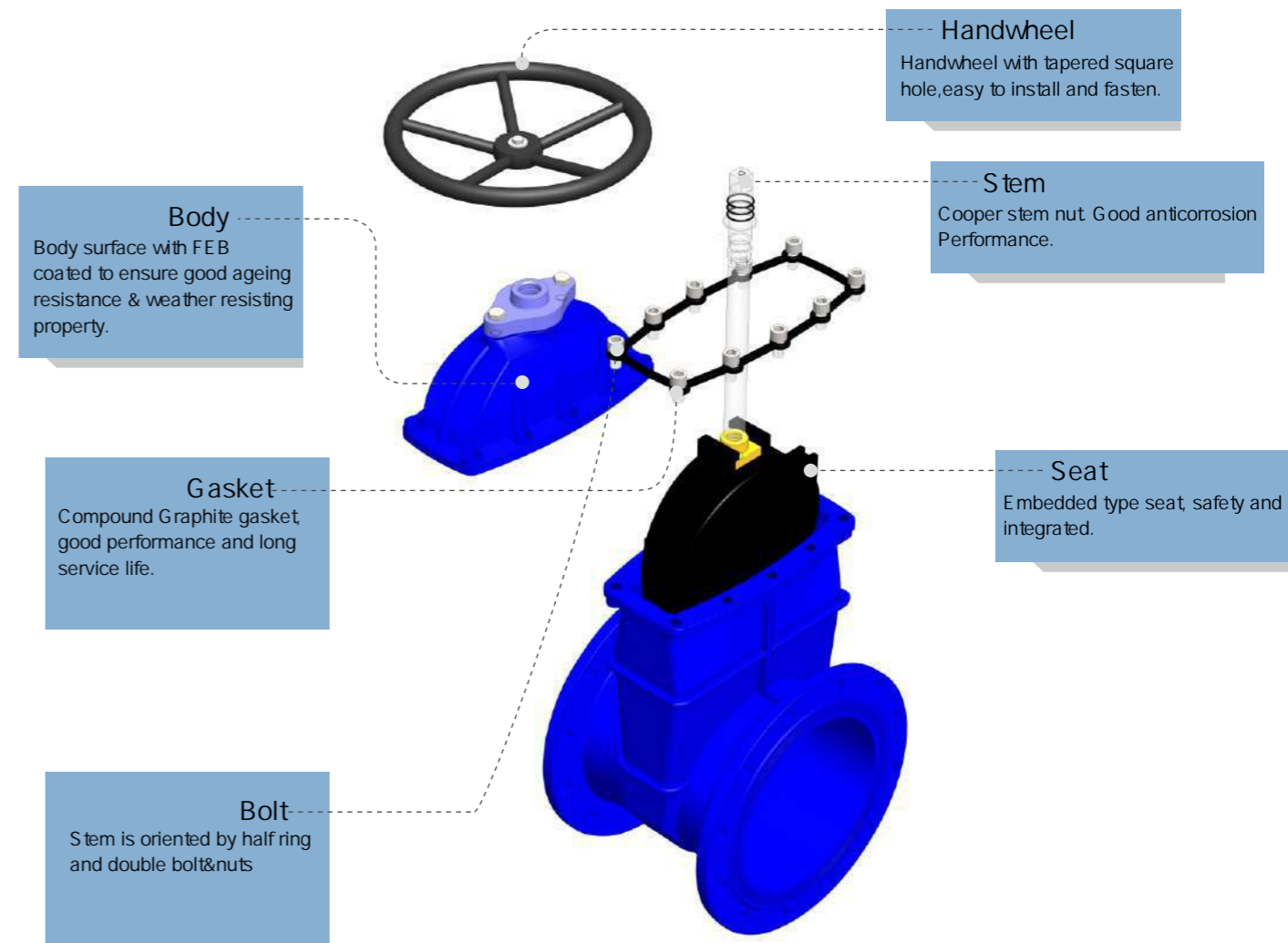
CONCENTRIC GATE VALVE



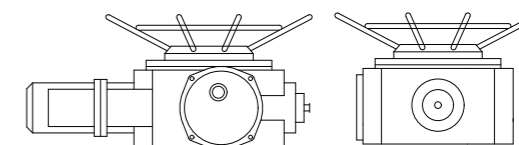
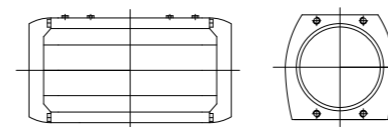
Water works and water resource project
 Environment protection
 Public facilities
 Power and public utilities
 Building industry
 Petroleum, chemical
 Steel, metallurgy
 Paper making industry
 Foods, Beverage

Gate valve as used as shutting-off or throttling unit for petroleum processing, chemicals, food, medicine, textile, paper making, hydroelectricity engineering as well as light industry, etc. it can be installed in any selected position.

Through precise manufacturing, the main parts of this butterfly valve ensure valve's operation in long stable and reliable condition.



Configurable drives

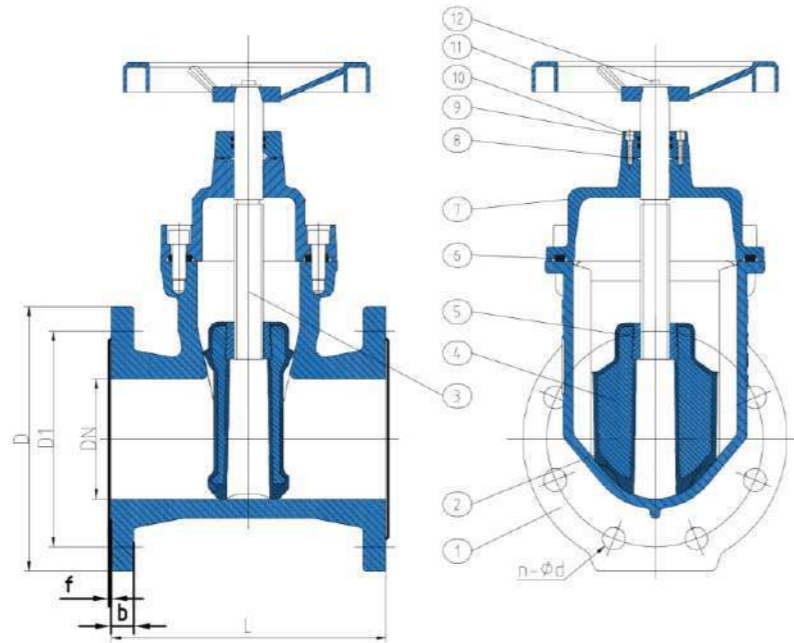


Pneumatic actuators

Electric Actuator



Non-Rising Stem Resilient Seated Gate Valve



- **Type:** Flange
- **Face to Face:** API609,BS5155,DIN3202,ISO5752
- **Flange:** DIN,BS,UNI,ISO, ANSI, AS,JIS
- **Mounting Flange:** ISO5211
- **Working Pressure:** PN16(200PSI)
- **Application:** HVAC,Water Supply&Sewage, Food&Beverage,Chemical/ petrochemical/processing, Power and Utilities,Paper and Pulp,Ship Building.

STANDARD MATERIALS OF MAIN PARTS

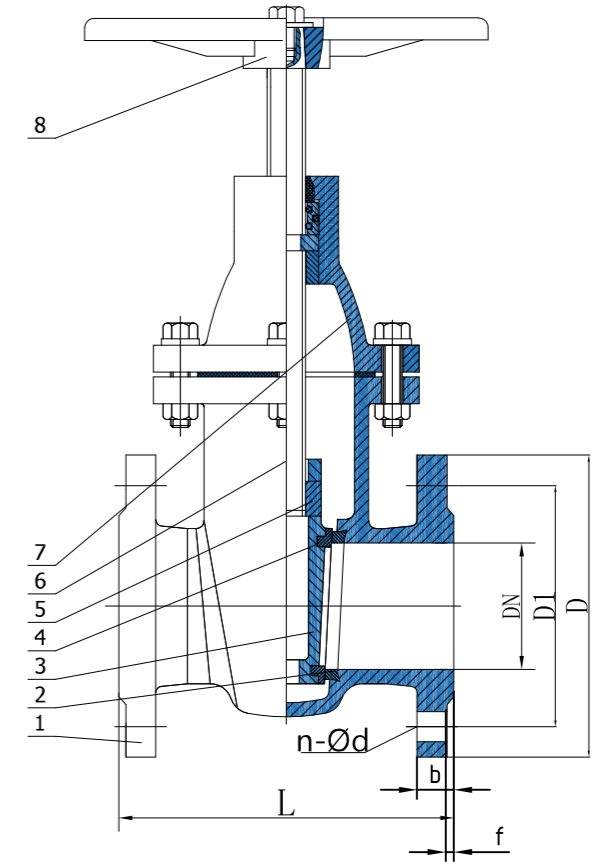
ITEM	PART NAME	MATERIAL
1	Body	Ductile Iron
2	Seat	EPDM
3	Shaft	SS416
4	Disc	Ductile Iron
5	Wedge Nut	Brass
6	Bonnet Gasket	EPDM
7	Bonnet	Ductile Iron
8	Sealing ring	EPDM
9	Socket head screw	A2-70
10	Oring	EPDM
11	Hand Wheel	
12	Stem Nut	A2-70

DIMENSIONS:(mm)

SIZE	L	PN16		PN10		JIS 10K		ANSI 150		b	f								
		D	D1	D	D1	D	D1	D	D1										
2	50	150	178	165	125	4-19	165	125	4-19	155	120	4-19	150	120.5	4-19	178	19	3	
2.5	65	170	270	190	185	145	4-19	185	145	4-19	175	140	4-19	180	139.5	4-19	190	19	3
3	80	180	280	203	200	160	8-19	200	160	8-19	185	150	4-19	190	152.5	4-19	203	19	3
4	100	190	300	229	220	180	8-19	220	180	8-19	210	175	8-19	230	190.5	8-19	229	19	3
5	125	200	325	254	250	210	8-19	250	210	8-19	250	210	8-23	255	216	8-22	254	19	3
6	150	210	350	267	285	240	8-23	285	240	8-23	280	240	8-23	280	241.5	8-22	267	19	3
8	200	230	400	292	340	295	12-23	340	295	8-23	330	290	12-23	345	298.5	8-22	292	20	3
10	250	250	450	330	405	355	12-28	395	350	12-23	400	355	12-25	405	362	12-25	330	22	3
12	300	270	500	356	460	410	12-28	445	400	12-23	445	400	16-25	485	432	12-25	356	24.5	4
14	350	290	550	381	520	470	16-28	505	460	16-23	490	445	16-25	535	476	12-29	381	26.5	4
16	400	310	600	406	580	525	16-31	565	515	16-28	560	510	16-27	595	540	16-29	406	28	4
18	450	330	650	432	640	585	20-31	615	565	20-28	620	565	20-27	635	578	16-32	432	30	4
20	500	350	700	457	715	650	20-34	670	620	20-28	675	620	20-27	700	635	20-32	457	31.5	4
24	600	390	800	508	840	770	24-37	780	725	20-31	795	730	24-33	815	749.5	20-35	508	36	5
28	700	430	900	610	910	840	24-41	895	840	24-31	905	840	24-33	925	863.5	28-35	610	39.5	5
32	800	470	1000	660	1025	950	24-41	1015	950	24-34	1020	950	28-33	1060	978	28-41	660	43	5
36	900	510	1100	711	1125	1050	28-41	1115	1050	28-34	1120	1050	28-33	1170	1086	32-41	711	46.5	5
40	1000	550	1200	813	1255	1170	28-44	1230	1160	28-37	1235	1160	28-39	1290	1200	36-41	813	50	5
48	1200	630	-	-	1485	1390	32-50	1455	1380	32-41	1465	1380	32-39	1510	1422.5	40-41	-	57	5



Non-Rising Stem Solid Wedge Gate Valve



- **Type:** Flange
- **Face to Face:** API609,BS5155,DIN3202,ISO5752
- **Flange:** DIN,BS,UNI,ISO, ANSI, AS,JIS
- **Mounting Flange:** ISO5211
- **Working Pressure:** PN16(200PSI)
- **Application:** HVAC,Water Supply&Sewage, Food&Beverage,Chemical/ petrochemical/processing, Power and Utilities,Paper and Pulp,Ship Building.

STANDARD MATERIALS OF MAIN PARTS

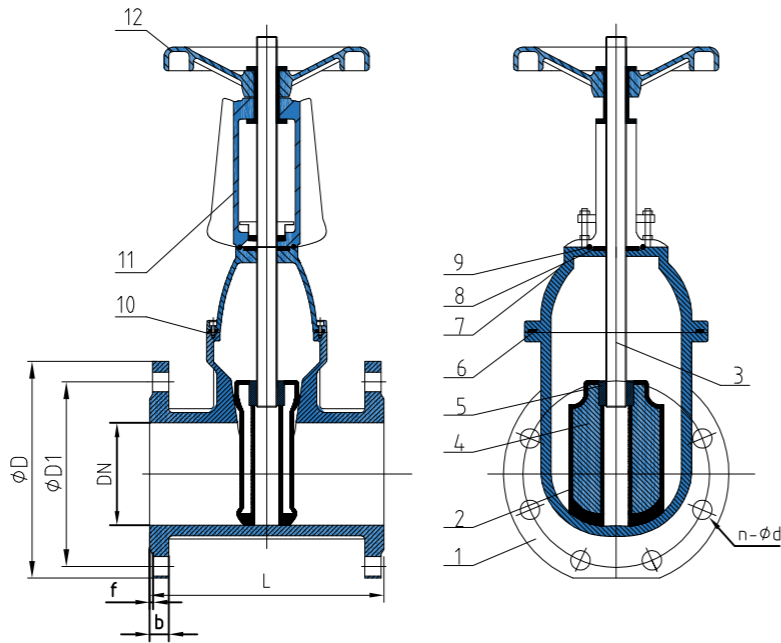
ITEM	PART NAME	MATERIAL
1	Body	CI
2	Body Seat Ring	Brass
3	Disc	DI
4	Wedge Seat Ring	Brass
5	Stem Nut	Brass
6	Stem	Ss420
7	Bonnet	CI
8	Wheel	CI

DIMENSIONS:(mm)

SIZE	L	PN16		PN10		JIS 10K		ANSI 150		b	f								
		D	D1	D	D1	D	D1	D	D1										
2	50	150	178	165	125	4-19	165	125	4-19	155	120	4-19	150	120.5	4-19	178	19	3	
2.5	65	170	270	190	185	145	4-19	185	145	4-19	175	140	4-19	180	139.5	4-19	190	19	3
3	80	180	280	203	200	160	8-19	200	160	8-19	185	150	4-19	190	152.5	4-19	203	19	3
4	100	190	300	229	220	180	8-19	220	180	8-19	210	175	8-19	230	190.5	8-19	229	19	3
5	125	200	325	254	250	210	8-19	250	210	8-19	250	210	8-23	255	216	8-22	254	19	3
6	150	210	350	267	285	240	8-23	285	240	8-23	280	240	8-23	280	241.5	8-22	267	19	3
8	200	230	400	292	340	295	12-23	340	295	8-23	330	290	12-23	345	298.5	8-22	292	20	3
10	250	250	450	330	405	355	12-28	395	350	12-23	400	355	12-25	405	362	12-25	330	22	3
12	300	270	500	356	460	410	12-28	445	400	12-23	445	400	16-25	485	432	12-25	356	24.5	4
14	350	290	550	381	520	470	16-28	505	460	16-23	490	445	16-25	535	476	12-29	381	26.5	4
16	400	310	600	406	580	525	16-31	565	515	16-28	560	510	16-27	595	540	16-29	406	28	4
18	450	330	650	432	640	585	20-31	615	565	20-28	620	565	20-27	635	578	16-32	432	30	4
20	500	350	700	457	715	650	20-34	670	620	20-28	675	620	20-27	700	635	20-32	457	31.5	4
24	600	390	800	508	840	770	24-37	780	725	20-31	795	730	24-33	815	749.5	20-35	508	36	5
28	700	430	900	610	910	840	24-41	895	840	24-31	905	840	24-33	925	863.5	28-35	610	39.5	5
32	800	470	1000	660	1025	950	24-41	1015	950	24-34	1020	950	28-33	1060	978	28-41	660	43	5
36	900	510	1100	711	1125	1050	28-41	1115	1050	28-34	1120	1050	28-33	1170	1086	32-41	711	46.5	5
40	1000	550	1200	813	1255	1170	28-44	1230	1160	28-37	1235	1160	28-39	1290	1200	36-41	813	50	5
48	1200	630	-	-	1485	1390	32-50	1455	1380	32-41	1465	1380	32-39	1510	1422.5	40-41	-	57	5



Rising Stem Resilient Seated Gate Valve



- **Type:** Flange
- **Face to Face:** API609,BS5155,DIN3202,ISO5752
- **Flange:** DIN,BS,UNI,ISO, ANSI, AS,JIS
- **Mounting Flange:** ISO5211
- **Working Pressure:** PN16(200PSI)
- **Appliaction:** HVAC,Water Supply&Sewage, Food&Beverage,Chemical/ petrochemical/processing, Power and Utilities,Paper and Pulp,Ship Building.

STANDARD MATERIALS OF MAIN PARTS

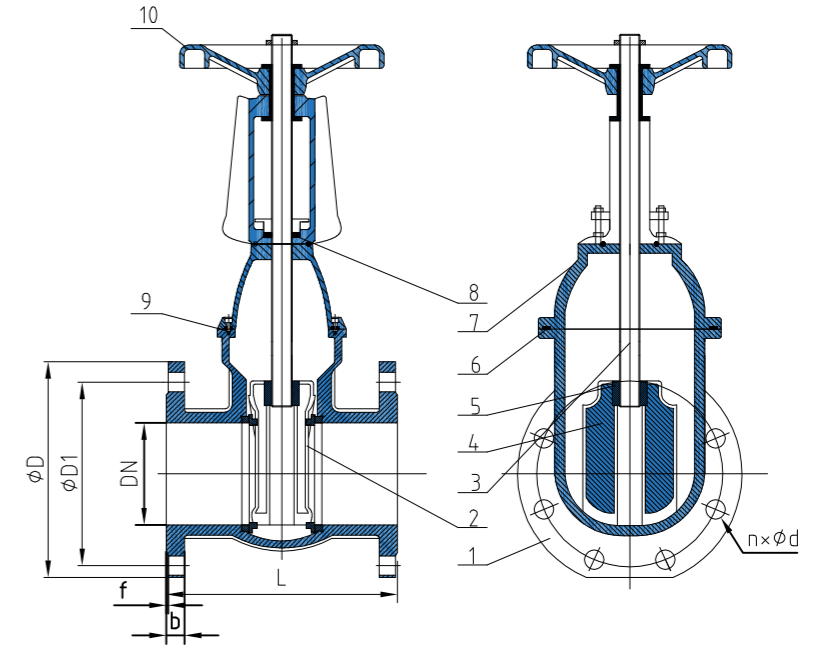
ITEM	PART NAME	MATERIAL
1	Body	Ductile Iron
2	Seat	EPDM
3	Shaft	SS420
4	Disc	Ductile Iron
5	Wedge Nut	Brass
6	Bonnet Gasket	EPDM
7	Bonnet	Ductile Iron
8	Packing	Flexible Graphite
9	Sealing ring	EPDM
10	Socket head screw	SS
11	Yoke	Ductile Iron
12	Hand Wheel	Ductile Iron

DIMENSIONS:(mm)

SIZE	L	PN16		PN10		JIS 10K		ANSI 150		b	f								
		D	D1	D	D1	D	D1	D	D1										
2	50	150	250	178	165	125	4-19	165	125	4-19	155	120	4-19	150	120.5	4-19	178	19	3
2.5	65	170	270	190	185	145	4-19	185	145	4-19	175	140	4-19	180	139.5	4-19	190	19	3
3	80	180	280	203	200	160	8-19	200	160	8-19	185	150	4-19	190	152.5	4-19	203	19	3
4	100	190	300	229	220	180	8-19	220	180	8-19	210	175	8-19	230	190.5	8-19	229	19	3
5	125	200	325	254	250	210	8-19	250	210	8-19	250	210	8-23	255	216	8-22	254	19	3
6	150	210	350	267	285	240	8-23	285	240	8-23	280	240	8-23	280	241.5	8-22	267	19	3
8	200	230	400	292	340	295	12-23	340	295	8-23	330	290	12-23	345	298.5	8-22	292	20	3
10	250	250	450	330	405	355	12-28	395	350	12-23	400	355	12-25	405	362	12-25	330	22	3
12	300	270	500	356	460	410	12-28	445	400	12-23	445	400	16-25	485	432	12-25	356	24.5	4
14	350	290	550	381	520	470	16-28	505	460	16-23	490	445	16-25	535	476	12-29	381	26.5	4
16	400	310	600	406	580	525	16-31	565	515	16-28	560	510	16-27	595	540	16-29	406	28	4
18	450	330	650	432	640	585	20-31	615	565	20-28	620	565	20-27	635	578	16-32	432	30	4
20	500	350	700	457	715	650	20-34	670	620	20-28	675	620	20-27	700	635	20-32	457	31.5	4
24	600	390	800	508	840	770	24-37	780	725	20-31	795	730	24-33	815	749.5	20-35	508	36	5
28	700	430	900	610	910	840	24-37	895	840	24-31	905	840	24-33	925	863.5	28-35	610	39.5	5
32	800	470	1000	660	1025	950	24-41	1015	950	24-34	1020	950	28-33	1060	978	28-41	660	43	5
36	900	510	1100	711	1125	1050	28-41	1115	1050	28-34	1120	1050	28-33	1170	1086	32-41	711	46.5	5
40	1000	550	1200	813	1255	1170	28-44	1230	1160	28-37	1235	1160	28-39	1290	1200	36-41	813	50	5
48	1200	630	-	-	1485	1390	32-50	1455	1380	32-41	1465	1380	32-39	1510	1422.5	40-41	-	57	5



Rising Stem Solid Wedge Gate Valve



- **Type:** Flange
- **Face to Face:** API609,BS5155,DIN3202,ISO5752
- **Flange:** DIN,BS,UNI,ISO, ANSI, AS,JIS
- **Mounting Flange:** ISO5211
- **Working Pressure:** PN16(200PSI)
- **Appliaction:** HVAC,Water Supply&Sewage, Food&Beverage,Chemical/ petrochemical/processing, Power and Utilities,Paper and Pulp,Ship Building.

STANDARD MATERIALS OF MAIN PARTS

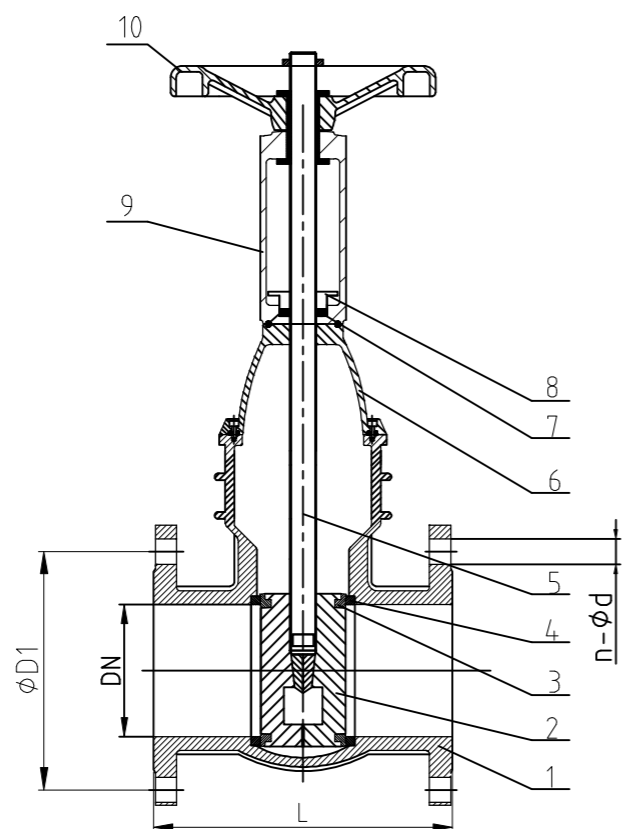
ITEM	PART NAME	MATERIAL
1	Body	DI
2	Seat	EPDM
3	Shaft	SS420
4	Disc	DI
5	Nut	Brass
6	Bonnet Gasket	EPDM
7	Bonnet	DI
8	Packing	Flexible Graphite
9	Socket head screw	SS
10	Hand Wheel	DI

DIMENSIONS:(mm)

SIZE	L	PN16		PN10		JIS 10K		ANSI 150		b	f								
		D	D1	D	D1	D	D1	D	D1										
2	50	150	250	178	165	125	4-19	165	125	4-19	155	120	4-19	150	120.5	4-19	178	19	3
2.5	65	170	270	190	185	145	4-19	185	145	4-19	175	140	4-19	180	139.5	4-19	190	19	3
3	80	180	280	203	200	160	8-19	200	160	8-19	185	150	4-19	190	152.5	4-19	203	19	3
4	100	190	300	229	220	180	8-19	220	180	8-19	210	175	8-19	230	190.5	8-19	229	19	3
5	125	200	325	254	250	210	8-19	250	210	8-19	250	210	8-23	255	216	8-22	254	19	3
6	150	210	350	267	285	240	8-23	285	240	8-23	280	240	8-23	280	241.5	8-22	267	19	3
8	200	230	400	292	340	295	12-23	340	295	8-23	330	290	12-23	345	298.5	8-22	292	20	3
10	250	250	450	330	405	355	12-28	395	350	12-23	400	355	12-25	405	362	12-25	330	22	3
12	300	270	500	356	460	410	12-28	445	400	12-23	445	400	16-25	485	432	12-25	356	24.5	4
14	350	290	550	381	520	470	16-28	505	460	16-23	490	445	16-25	535	476	12-29	381	26.5	4
16	400	310	600	406	580	525	16-31	565	515	16-28	560	510	16-27	595	540	16-29	406	28	4
18	450	330	650	432	640	585	20-31	615	565	20-28	620	565	20-27	635	578	16-32	432	30	4
20	500	350	700	457	715	650	20-34	670	620	20-28	675	620	20-27	700	635	20-32	457	31.5	4
24	600	390	800	508	840	770	24-37	780	725	20-31	795	730	24-33	815	749.5	20-35	508	36	5
28	700	430	900	610	910	840	24-37	895	840	24-31	905	840	24-33	925	863.5	28-35	610	39.5	5
32	800	470	1000	660	1025	950	24-41	1015	950	24-34	1020	950	28-33	1060	978	28-41	660	43	5
36	900	510	1100	711	1125	1050	28-41	1115	1050	28-34	1120	1050	28-33	1170	1086	32-41	711	46.5	5
40	1000	550	1200	813	1255	1170	28-44	1230	1160	28-37	1235	1160	28-39	1290	1200	36-41	813	50	5
48	1200	630	-	-	1485	1390	32-50	1455	1380	32-41	1465	1380	32-39	1510	1422.5	40-41	-	57	5



Parallel Double Discs Gate Valve 30ch6br



- **Type:**
Flange
- **Face to Face:**
API609,BS5155,DIN3202,ISO5752
- **Flange:**
DIN,BS,UNI,ISO, ANSI, AS,JIS
- **Mounting Flange:**
ISO5211
- **Working Pressure:**
PN16(200PSI)
- **Appliaction:**
HVAC,Water Supply&Sewage,
Food&Beverage,Chemical/
petrochemical/processing,
Power and Uilities,Paper
and Pulp,Ship Building.

STANDARD MATERIALS OF MAIN PARTS

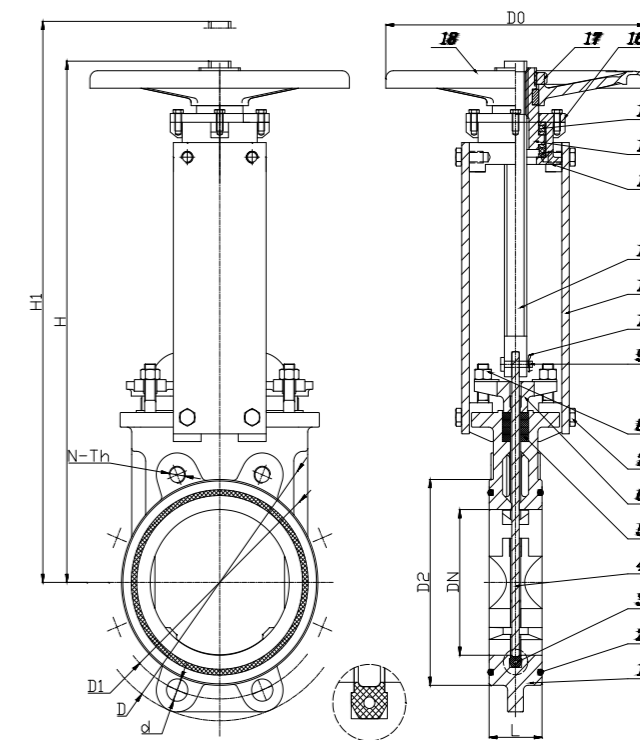
ITEM	PART NAME	MATERIAL
1	Body	CI
2	Disc	CI
3	Disc Seat	Brass
4	Body Seat	Brass
5	Stem	CS
6	Bonnet	CI
7	Packing	Graphite
8	Gland	CI
9	Yoke	CI
10	Hand Wheel	CI

DIMENSIONS:(mm)

DN	L	Pn10	
		D1	n- d
50	180	125	4-19
80	210	160	8-19
100	230	180	8-19
150	280	240	8-23
200	330	295	8-23
250	450	350	12-23
300	500	400	12-23



Knife gate valve



- **Type:**
Flange
- **Face to Face:**
API609,BS5155,DIN3202,ISO5752
- **Flange:**
DIN,BS,UNI,ISO, ANSI, AS,JIS
- **Mounting Flange:**
ISO5211
- **Working Pressure:**
PN16(200PSI)
- **Appliaction:**
HVAC,Water Supply&Sewage,
Food&Beverage,Chemical/
petrochemical/processing,
Power and Uilities,Paper
and Pulp,Ship Building.

DIMENSIONS:(mm)

DN	SIZE								
	L	D	D1	D2	D0	N-Th	d	H	H1
65	48	185	145	118	180	4-M16	18	335	415
80	51	200	160	132	220	8-M16	18	360	455
100	51	220	180	156	240	8-M16	18	400	515
125	57	250	210	184	240	8-M16	18	455	595
150	57	285	240	212	280	8-M20	23	510	675
200	60	340	295	266	300	12-M20	23	585	805
250	70	405	355	319	320	12-M24	27	695	965
300	76	460	410	370	320	12-M24	27	765	1085

STANDARD MATERIALS OF MAIN PARTS

NO	PART NAME	MATERIAL
1	Body	Ductile Iron
2	Oring	NBR
3	Sealing	NBR/EPDM
4	Disc	316
5	Packing	PTFE
6	Gland	WCB
7	Bolt	201
8	Nut/Bolt	201
9	Pin	201
10	Split pin	200
11	Yoke	A3
12	Stem	2cr13
13	Yoke Head	WCB
14	Stem Nut	Brass
15	Bearing	Zchsnb10-6
16	Yoke head cap	WCB
17	Nut	201
18	Handwheel	Ductile Iron

• CHECK VALVE



- 1. Small in size, light in weight, compact in structure, easy in maintenance.
- 2. Two torsion springs are used excreting on each of the pair valve plates, which close the plates quickly and automatically.
- 3. The quick-close action prevents the medium from flowing back and eliminates water hammer effect.
- 4. Short body structure length and good rigidity.
- 5. This valve is tightly sealed, without leakage under the pressure water test.
- 6. Safe and reliable in operation, high interference-resistance.

Note: The stem of the valve should be perpendicular to the horizontal level when the valve is mounted on horizontal pipeline. For vertical installation the direction of flow should be downward.

Through precise manufacture, the main parts of check butterfly valve ensure valve's operation in a long stable and reliable and reliable condition.

Body

Short body structure length and good rigidity.

Disc

Adopting unitized design of dual discs and two torsion springs, it can make disc quickly closed itself and remove water-hammer

Rubber seat

It will be cured on body, tight fit and tight seal with no leakage.

Spring

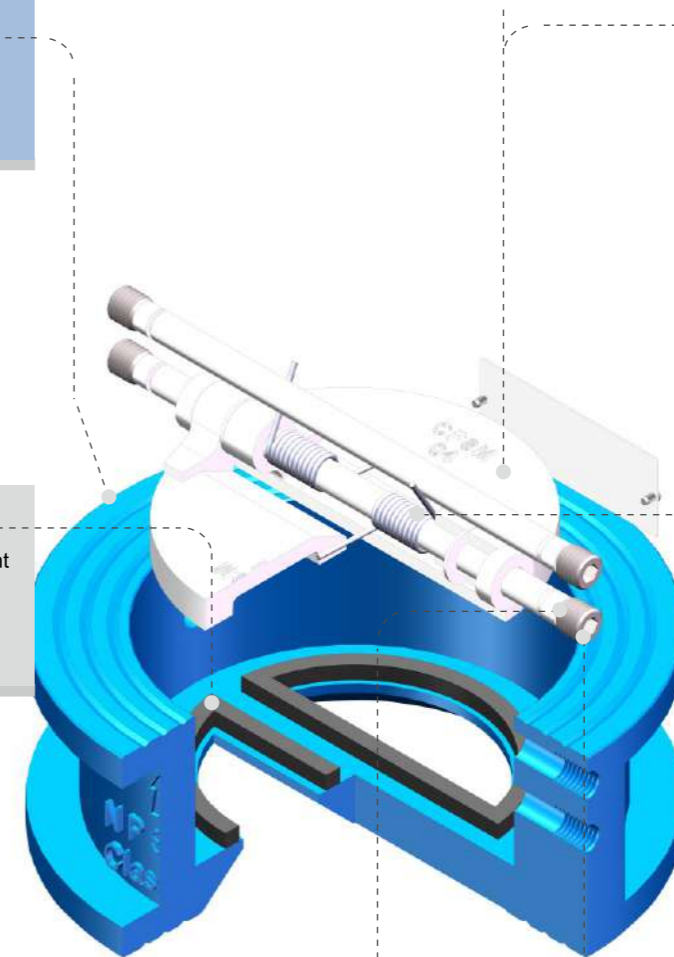
It is possible to install valve on any positing of pipeline under the function of spring with low cost.

Gasket

It effectively prevents rotating shaft moving and avoid failure of valve function and leakage on shaft end.

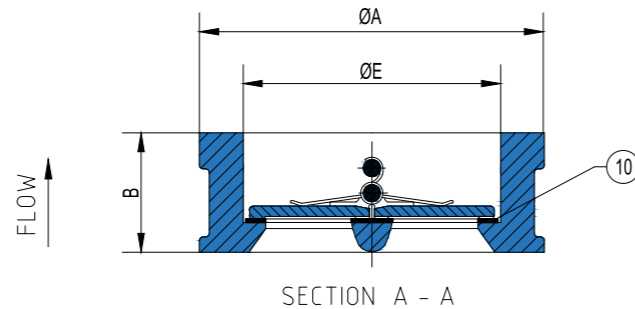
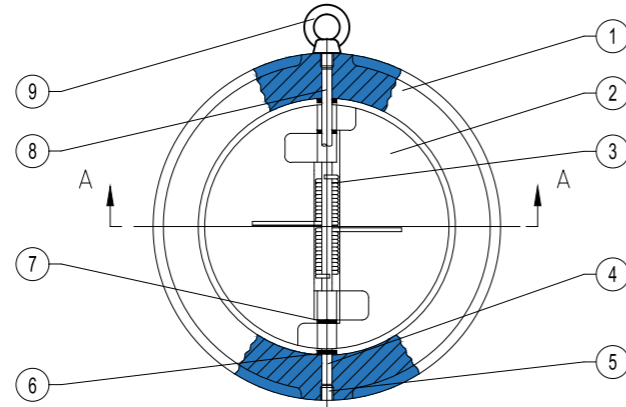
Fasten screw

It is possible to regulate fitting clearance using washer and ensure the sealing of disc.





Dual Plate Wafer Check Valve



- **Type:** Wafer
- **Face to Face:** API609,BS5155,DIN3202,ISO5752
- **Flange:** DIN,BS,UNI,ISO, ANSI, AS,JIS
- **Mounting Flange:** ISO5211
- **Working Pressure:** PN16(200PSI)
- **Application:** HVAC,Water Supply&Sewage, Food&Beverage,Chemical/ petrochemical/processing, Power and Utilities,Paper and Pulp,Ship Building.

STANDARD MATERIALS OF MAIN PARTS

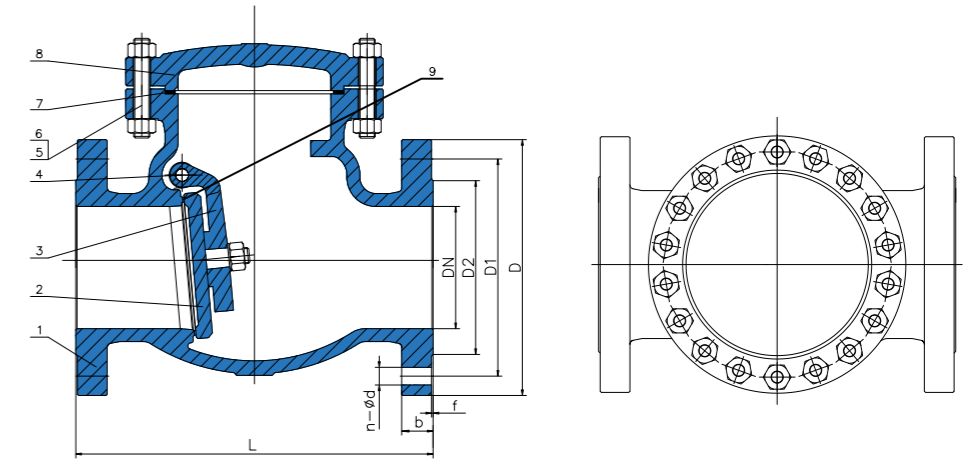
ITEM	PART NAME	MATERIAL
1	Body	DI,CI
2	Plate	CF8,CF8M,DI+Ni,Bronze
3	Spring	Stainless Steel 416
4	Hinge Pin	Stainless Steel 416
5	Plug	Carbon Steel
6	Body Bearing	PTFE
7	Spring Bearing	PTFE
8	Stop Pin	Stainless Steel 416
9	Eye Bolt	Carbon Steel
10	Body Seat	EPDM,NBR,Vtion,Neoprene

DIMENSIONS:(mm)

SIZE	SIZE		B	E	A		
	in	DN			DIN PN10/16	ANSI 150	JIS 10K
2	50	43	66	107	102	101	
2-1/2	65	46	81	127	121	121	
3	80	64	95	142	133	131	
4	100	64	118	162	171	156	
5	125	70	146	192	193	187	
6	150	76	171	218	219	217	
8	200	89	225	273	276	267	
10	250	114	266	328	336	330	
12	300	114	311	378/382	406	375	
14	350	127	361	438/442	448	420	
16	400	140	411	488/495	511	483	
18	450	152	451	538/555	546	538	
20	500	152	506	592/617	603	593	
24	600	178	625	695/734	714	697	
28	700	229	721	809	828	807	
32	800	241	826	916	936	917	



Swing Check Valve



- **Type:** Flange
- **Face to Face:** API609,BS5155,DIN3202,ISO5752
- **Flange:** DIN,BS,UNI,ISO, ANSI, AS,JIS
- **Mounting Flange:** ISO5211
- **Working Pressure:** PN16(200PSI)
- **Application:** HVAC,Water Supply&Sewage, Food&Beverage,Chemical/ petrochemical/processing, Power and Utilities,Paper and Pulp,Ship Building.

STANDARD MATERIALS OF MAIN PARTS

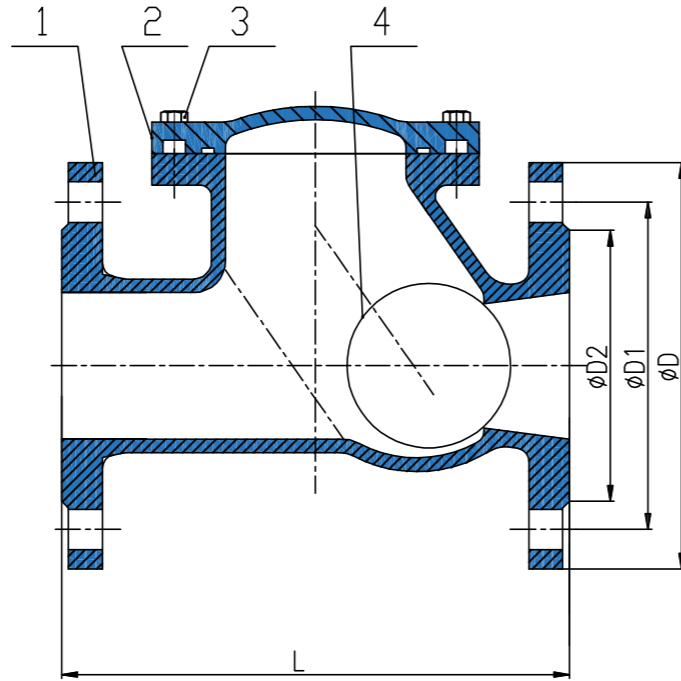
ITEM	PART NAME	MATERIAL
1	Body	CI/DI
2	Disc	CI/DI
3	Rocking Arm	DI
4	Pin	CS
5	Nut	CS
6	Stud	CS
7	Gasket	Graphite
8	Bonnet	DI
9	Sealing Ring	Brass

DIMENSIONS:(mm)

SIZE	L	PN16							PN10					
		DIN3202-F6	D	D1	n-Ød	D2	b	f	D	D1	n-Ød	D2	b	f
2	50	200	165	125	4-19	99	19	3	165	125	4-19	99	19	3
2.5	65	240	185	145	4-19	118	19	3	185	145	4-19	118	19	3
3	80	260	200	160	8-19	132	19	3	200	160	8-19	132	19	3
4	100	300	220	180	8-19	156	19	3	220	180	8-19	156	19	3
5	125	350	250	210	8-19	184	19	3	250	210	8-19	184	19	3
6	150	400	285	240	8-23	211	19	3	285	240	8-23	211	19	3
8	200	500	340	295	12-23	266	20	3	340	295	12-23	266	20	3
10	250	600	405	355	12-28	319	22	3	395	350	12-28	319	22	3
12	300	700	460	410	12-28	370	24.5	4	445	400	12-28	370	24.5	4
14	350	800	520	470	16-28	429	26.5	4	505	460	16-28	429	24.5	4
16	400	900	580	525	16-31	480	28	4	565	515	16-31	480	24.5	4
18	450	1000	640	585	20-31	548	30	4	615	565	20-31	530	25.5	4
20	500	1100	715	650	20-34	609	31.5	4	670	620	20-34	582	26.5	4
24	600	1300	840	770	20-37	720	36	5	780	725	20-37	682	30	5



Ball Type Check Valve



- **Type:** Flange
- **Face to Face:** API609,BS5155,DIN3202,ISO5752
- **Flange:** DIN,BS,UNI,ISO, ANSI, AS,JIS
- **Mounting Flange:** ISO5211
- **Working Pressure:** PN16(200PSI)
- **Application:** HVAC,Water Supply&Sewage, Food&Beverage,Chemical/ petrochemical/processing, Power and Utilities,Paper and Pulp,Ship Building.

STANDARD MATERIALS OF MAIN PARTS

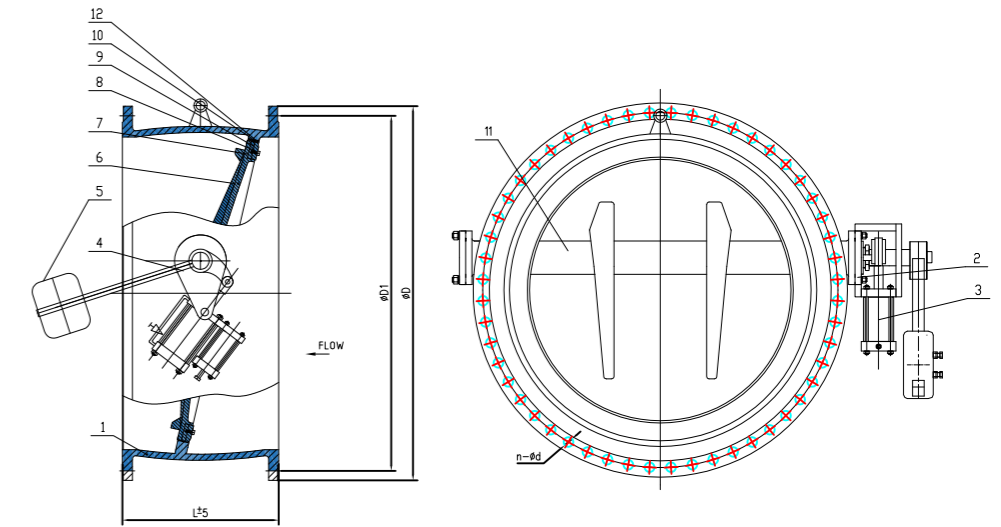
ITEM	PART NAME	MATERIAL
1	Body	DI
2	Bonnet	DI
3	Bolt	CS
4	Bolt	EPDM

DIMENSIONS:(mm)

DN	F6		PN10			PN16			
	L	D	D1	D2	n-Ød	D	D1	D2	n-Ød
50	200	165	125	102	4-18	165	125	102	4-18
65	240	185	145	122	4-18	185	145	122	4-18
80	260	200	160	138	8-18	200	160	138	8-18
100	300	220	180	158	8-18	220	180	158	8-18
125	350	250	210	188	8-18	250	210	188	8-18
150	400	285	240	212	8-23	285	240	212	8-23
200	500	340	295	268	8-23	340	295	268	12-23
250	600	395	350	320	12-23	405	355	320	12-27
300	700	445	400	370	12-23	460	410	378	12-27
350	800	505	460	430	16-23	520	470	438	16-27
400	900	565	515	482	16-27	580	525	490	16-30
450	1000	615	565	530	20-27	640	585	550	20-30
500	1100	670	620	585	20-27	715	650	610	20-33
600	1300	780	725	685	20-30	840	770	725	20-36



Tilting Check Valve



- **Type:** Flange
- **Face to Face:** API609,BS5155,DIN3202,ISO5752
- **Flange:** DIN,BS,UNI,ISO, ANSI, AS,JIS
- **Mounting Flange:** ISO5211
- **Working Pressure:** PN16(200PSI)
- **Application:** HVAC,Water Supply&Sewage, Food&Beverage,Chemical/ petrochemical/processing, Power and Utilities,Paper and Pulp,Ship Building.

STANDARD MATERIALS OF MAIN PARTS

ITEM	PART NAME	MATERIAL
1	Body	DI
2	Gland	DI
3	Hydraulic cylinder	
4	Yoke	CS
5	Counter weight	CI
6	Disc	DI
7	Sealing Ring	EPDM

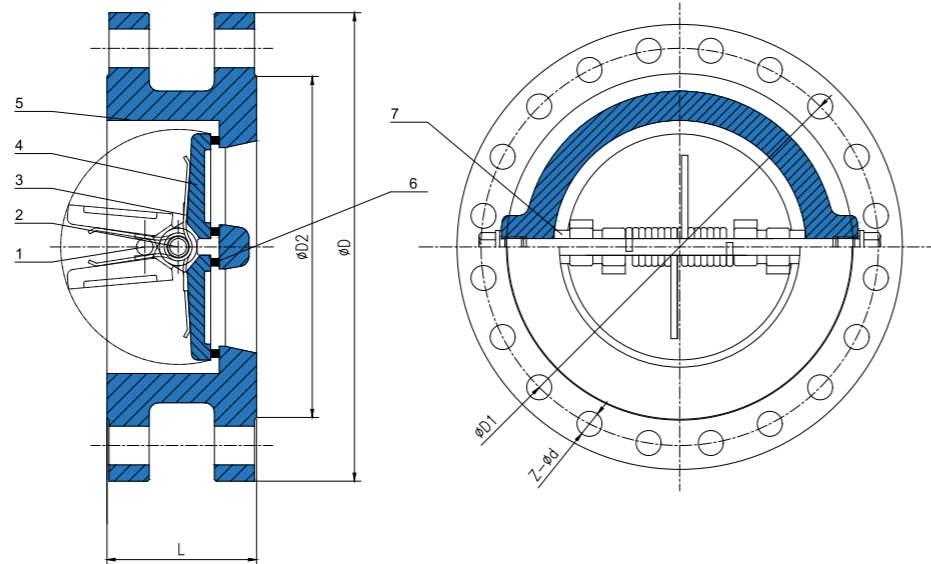
ITEM	PART NAME	MATERIAL
8	Retainer	CS
9	Bolts	CS
10	Stem	DI
11	Stem	SS416
12	Body sealing	SS304

DIMENSIONS:(mm)

SIZE	L	PN16			PN10			
		D	D1	n-Ød	D	D1	n-Ød	
8	200	230	340	295	12-23	340	295	8-23
10	250	250	405	355	12-28	395	350	12-23
12	300	270	460	410	12-28	445	400	12-23
14	350	290	520	470	16-28	505	460	16-23
16	400	310	580	525	16-31	565	515	16-28
18	450	330	640	585	20-31	615	565	20-28
20	500	350	715	650	20-34	670	620	20-28
24	600	390	840	770	24-37	780	725	20-31
28	700	430	910	840	24-37	895	840	24-31
32	800	470	1025	950	24-41	1015	950	24-34
36	900	510	1125	1050	28-41	1115	1050	28-34
40	1000	550	1255	1170	28-44	1230	1160	28-37
48	1200	630	1485	1390	32-50	1455	1380	32-41
56	1400	710	1685	1590	36-50	1675	1590	36-44
64	1600	790	1930	1820	40-57	1915	1820	40-50



Dual Plate Flange Check Valve



- **Type:** Flange
- **Face to Face:** API609,BS5155,DIN3202,ISO5752
- **Flange:** DIN,BS,UNI,ISO, ANSI, AS,JIS
- **Mounting Flange:** ISO5211
- **Working Pressure:** PN16(200PSI)
- **Appliaction:** HVAC,Water Supply&Sewage, Food&Beverage,Chemical/ petrochemical/processing, Power and Utilities,Paper and Pulp,Ship Building.

STANDARD MATERIALS OF MAIN PARTS

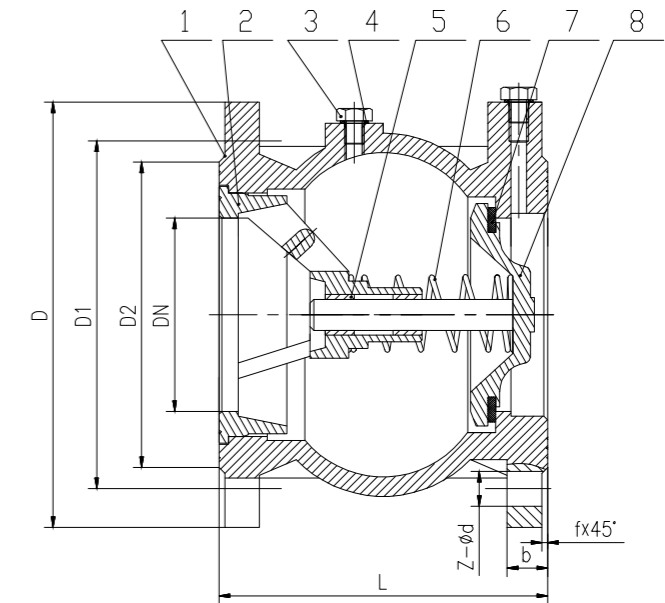
ITEM	PART NAME	MATERIAL
1	STOP PIN	Ss304
2	HINGLE PIN	Ss304
3	SPRING	Ss304
4	PLATE	DI
5	BODY	CI
6	SEAT	EPDM
7	BEARING	PTFE

DIMENSIONS:(mm)

SIZE		L	PN10				PN16			
in	DN		D1	z-d	D2	D	D1	z-d	D2	D
2	50	43	125	4-19	99	165	125	4-19	99	165
2.5"	65	46	145	4-19	118	185	145	4-19	118	185
3	80	64	160	8-19	132	200	160	8-19	132	200
4	100	64	180	8-19	156	220	180	8-19	156	220
5	125	70	210	8-19	184	250	210	8-19	184	250
6	150	76	240	8-23	211	285	240	8-23	211	285
8	200	89	295	8-23	266	340	295	12-23	266	340
10	250	114	350	12-23	319	395	355	12-28	319	405
12	300	114	400	12-23	370	445	410	12-28	370	460
14	350	127	460	16-23	429	505	470	16-28	429	520
16	400	140	515	16-28	480	565	525	16-31	480	580
18	450	152	565	20-28	530	615	585	20-31	548	640
20	500	152	620	20-28	582	670	650	20-34	609	715
24	600	178	725	20-31	682	780	770	20-37	720	840
28	700	229	840	24-31	794	895	840	24-37	794	910
32	800	241	950	24-34	901	1015	950	24-41	901	1025
36	900	241	1050	28-34	1001	1115	1050	28-41	1001	1125
40	1000	300	1160	28-37	1112	1230	1170	28-44	1112	1255



Silent Check Valve



- **Type:** Flange
- **Face to Face:** API609,BS5155,DIN3202,ISO5752
- **Flange:** DIN,BS,UNI,ISO, ANSI, AS,JIS
- **Mounting Flange:** ISO5211
- **Working Pressure:** PN16(200PSI)
- **Appliaction:** HVAC,Water Supply&Sewage, Food&Beverage,Chemical/ petrochemical/processing, Power and Utilities,Paper and Pulp,Ship Building.

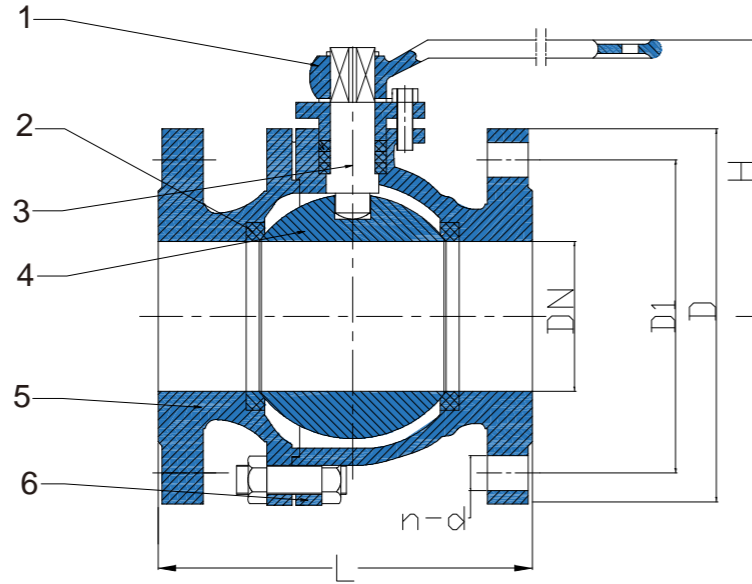
STANDARD MATERIALS OF MAIN PARTS

NO	PART NAME	MATERIAL
1	Body	Gg25
2	Guide pulley	Ggg40
3	Plug	Brass
4	O Ring	Rubber
5	Guide Sleeve	Brass
6	Spping	Stainless Steel
7	Gasket	Rubber
8	Disc	Ggg40

DIMENSIONS:(mm)

DN	50	65	80	100	125	150	200	250	300
L	100	120	140	170	200	230	288	354	410
D	165	185	200	220	250	285	340	405	460
D1	125	145	160	180	210	240	295	355	410
D2	102	122	138	158	188	212	268	320	378
b	20		22	24	26		30	32	
f	3							4	
Z-d	4-18		8-18		8-23	12-23	12-27		

Ball Valve



- **Type:** Flange
- **Face to Face:** API609,BS5155,DIN3202,ISO5752
- **Flange:** DIN,BS,UNI,ISO, ANSI, AS,JIS
- **Mounting Flange:** ISO5211
- **Working Pressure:** PN16(200PSI)
- **Application:** HVAC,Water Supply&Sewage, Food&Beverage,Chemical/ petrochemical/processing, Power and Utilities,Paper and Pulp,Ship Building.

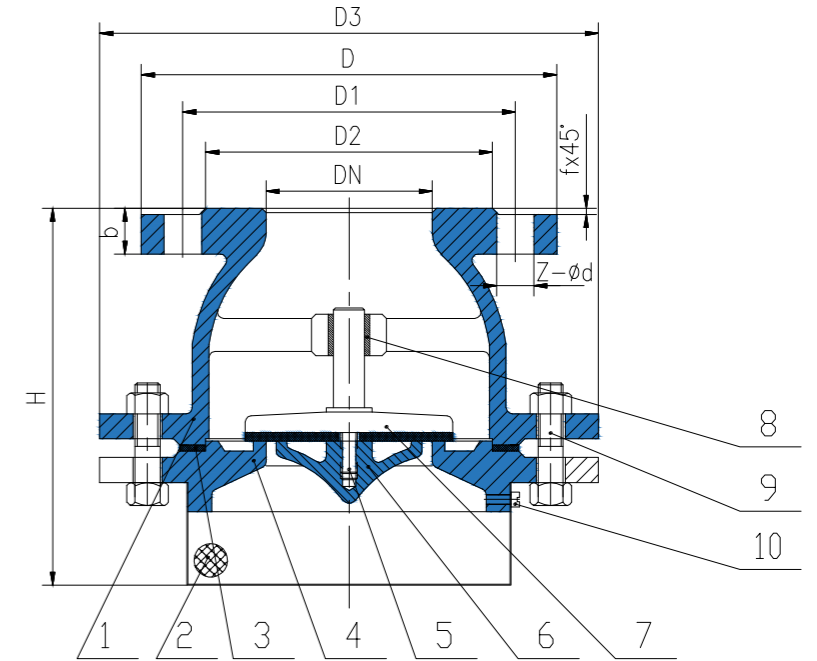
STANDARD MATERIALS OF MAIN PARTS

NO	PART NAME	MATERIAL
1	Bonnet	CI/DI
2	Body	CI/DI
3	Ball	SS
4	Stem	Ss410
5	Seat	PTFE
6	Hand lever	CI/DI

DIMENSIONS:(mm)

DN	15	20	25	32	40	50	65	80	100	125	150	200
	1/2"	3/4"	1"	1 1/4"	1 1/2"	2"	2.5"	3"	4"	5"	6"	8"
L	115	120	125	130	140	150	170	180	190	325	350	400
H	59	63	75	86	105	115	135	155	170	195	240	295
D	95	105	115	140	150	165	185	200	220	250	285	340
D1	65	75	85	100	110	125	145	160	180	210	240	295
n-d	4-15	4-15	4-15	4-19	4-19	4-19	4-19	8-19	8-19	8-19	8-23	12-23

Foot Valve



- **Type:** Flange
- **Face to Face:** API609,BS5155,DIN3202,ISO5752
- **Flange:** DIN,BS,UNI,ISO, ANSI, AS,JIS
- **Mounting Flange:** ISO5211
- **Working Pressure:** PN16(200PSI)
- **Application:** HVAC,Water Supply&Sewage, Food&Beverage,Chemical/ petrochemical/processing, Power and Utilities,Paper and Pulp,Ship Building.

STANDARD MATERIALS OF MAIN PARTS

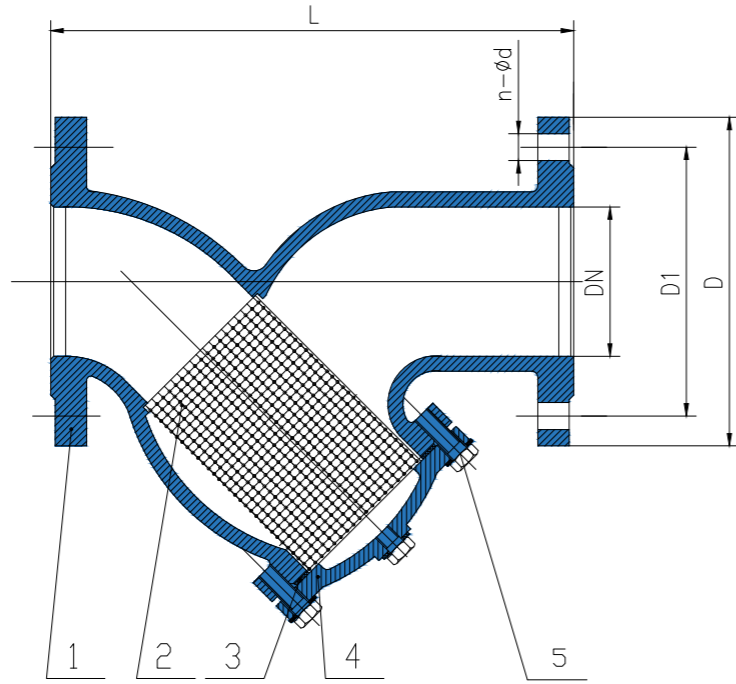
NO	PART NAME	MATERIAL
1	Body	Carbon Steel
2	Screen	Carbon Steel
3	Gasket	Brass
4	Flange Plate	GG25+Rubber
5	Stud Bolt	Gg25
6	Lock Block	Carbon Steel
7	Lock Block	Gg25
8	Disc	Graphite
9	Valve Guide	Stainless Steel
10	Bolt Nut	Gg25

DIMENSIONS:(mm)

DN	40	50	65	80	100	125	150	200	250	300	350	
D	150	165	185	200	220	250	285	340	405	460	520	
D1	110	125	145	160	180	210	240	295	355	410	470	
D2	88	102	122	138	158	188	212	268	320	378	438	
D3	170	180	200	240	270	310	360	440	520	590	620	
H	137	157	172	186	245	263	343	421	469	609	785	
b	18	20		22	24	26		28				
f	3					4						
Z-d	4-18		8-18			8-23		12-23		12-27		16-27



Y-Strainer



- **Type:** Flange
- **Face to Face:** API609,BS5155,DIN3202,ISO5752
- **Flange:** DIN,BS,UNI,ISO, ANSI, AS,JIS
- **Mounting Flange:** ISO5211
- **Working Pressure:** PN16(200PSI)
- **Application:** HVAC,Water Supply&Sewage, Food&Beverage,Chemical/ petrochemical/processing, Power and Utilities,Paper and Pulp,Ship Building.

STANDARD MATERIALS OF MAIN PARTS

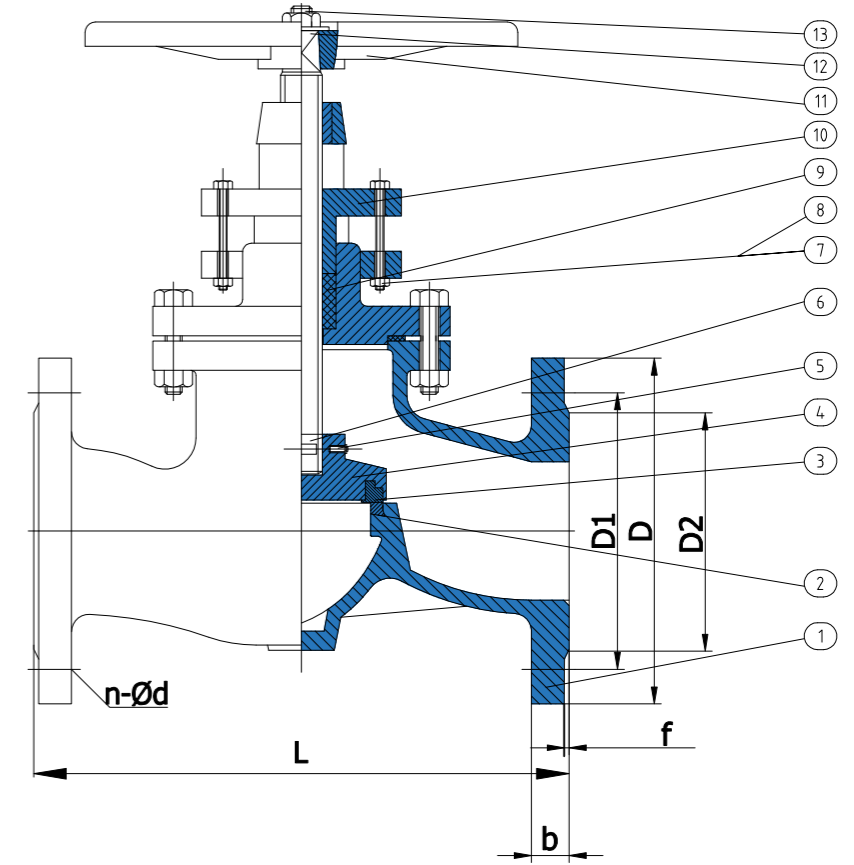
ITEM	PART NAME	MATERIAL
1	BOLT	CS
2	BONNET	DI
3	SEATING	RUBBER
4	SCREEN	Ss304
5	BODY	DI

DIMENSIONS:(mm)

DN	DIN PN16			DIN PN10			
	F1	D	n-∅d	D	D1	n-∅d	
50	230	165	125	4-19	165	125	4-19
65	290	185	145	4-19	185	145	4-19
80	310	200	160	8-19	200	160	8-19
100	350	220	180	8-19	220	180	8-19
125	400	250	210	8-19	250	210	8-19
150	480	285	240	8-23	285	240	8-23
200	600	340	295	12-23	340	295	8-23
250	730	405	355	12-28	395	350	12-23
300	850	460	410	12-28	445	400	12-23
350	980	520	470	16-28	505	460	16-23
400	1100	580	525	16-31	565	515	16-28
450	1200	640	585	20-31	615	565	20-28
500	1250	715	650	20-34	670	620	20-28



Globe Valve



- **Type:** Flange
- **Face to Face:** API609,BS5155,DIN3202,ISO5752
- **Flange:** DIN,BS,UNI,ISO, ANSI, AS,JIS
- **Mounting Flange:** ISO5211
- **Working Pressure:** PN16(200PSI)
- **Application:** HVAC,Water Supply&Sewage, Food&Beverage,Chemical/ petrochemical/processing, Power and Utilities,Paper and Pulp,Ship Building.

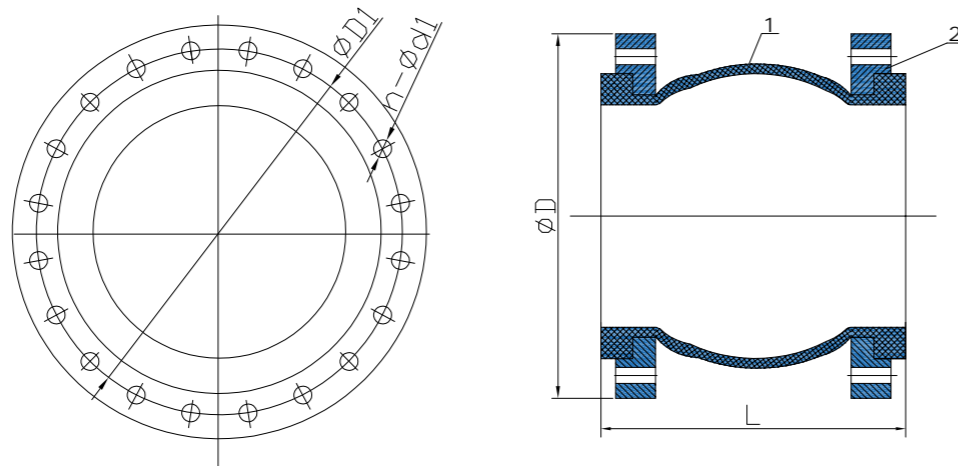
STANDARD MATERIALS OF MAIN PARTS

ITEM	PART NAME	MATERIAL	MATERIAL
1	BODY	GRAY CAST IRON	ASTM A126B
2	BODY SEAT RING	BRASS	ASTM B62
3	DISC SEAT RING	BRASS	ASTM B62
4	DISC	DUCTILE IRON	ASTM A536
5	DISC NUT	BRASS	ASTM B62
6	STEM	STAINLESS STEEL	2CR13
7	BONNET BOLT	CARBON STEEL	ASTM A307
8	NUT	CARBON STEEL	ASTM A307
9	PACKING	GRAPHITE	
10	GLAND	DUCTILE IRON	ASTM A536
11	WHEEL	DUCTILE IRON	ASTM A536
12	WASHERS	CARBON STEEL	ASTM A307
13	WHEEL BOLT	CARBON STEEL	ASTM A307

DIMENSIONS:(mm)

SIZE	DN	PN16			PN10			JIS 10K			ANSI 150			L	b	f			
		F4	F5	BS5163	D	D1	n-∅d	D	D1	n-∅d	D	D1	n-∅d						
2	50	150	150	178	165	125	4-19	165	125	4-19	155	120	4-19	150	120.5	4-19	178	19	3
2.5	65	170	170	190	185	145	4-19	185	145	4-19	175	140	4-19	180	139.5	4-19	190	19	3
3	80	180	180	203	200	160	8-19	200	160	8-19	185	150	4-19	190	152.5	4-19	203	19	3
4	100	190	190	229	220	180	8-19	220	180	8-19	210	175	8-19	230	190.5	8-19	229	19	3
5	125	200	200	254	250	210	8-19	250	210	8-19	250	210	8-23	255	216	8-22	254	19	3
6	150	210	210	267	265	240	8-23	265	240	8-23	280	240	8-23	280	241.5	8-22	267	19	3
8	200	230	230	292	340	295	12-23	340	295	8-23	330	290	12-23	345	298.5	8-22	292	20	3
10	250	250	250	330	405	355	12-28	395	350	12-23	400	355	12-25	405	362	12-25	330	22	3
12	300	270	270	356	460	410	12-28	445	400	12-23	445	400	16-25	485	432	12-25	356	24.5	4
14	350	290	290	381	520	470	16-28	505	460	16-23	490	445	16-25	535	478	12-29	381	26.5	4
16	400	310	310	406	560	525	16-31	565	515	16-28	560	510	16-27	595	540	16-29	406	28	4
18	450	330	330	432	640	585	20-31	615	565	20-28	620	565	20-27	635	578	16-32	432	30	4
20	500	350	350	457	715	650	20-34	670	620	20-28	675	620	20-27	700	635	20-32	457	31.5	4
24	600	390	390	508	840	770	24-37	780	725	20-31	795	730	24-33	815	749.5	20-35	508	36	5
28	700	430	430	610	910	840	24-37	895	840	24-31	905	840	24-33	925	863.5	28-35	610	39.5	5
32	800	470	470	660	1025	950	24-41	1015	950	24-34	1020	950	28-33	1060	978	28-41	660	43	5
36	900	510	510	711	1125	1050	28-41	1115	1050	28-34	1120	1050	28-33	1170	1086	32-41	711	46.5	5
40	1000	550	550	813	1255	1170	28-44	1230	1160	28-37	1235	1160	28-39	1290	1200	36-41	813	50	5
48	1200	630	630	-	1485	1390	32-50	1455	1380	32-41	1465	1380	32-39	1510	1422.5	40-41	-	57	5

Single Sphere Connector With Flange



- **Type:** Flange
- **Face to Face:** API609,BS5155,DIN3202,ISO5752
- **Flange:** DIN,BS,UNI,ISO, ANSI, AS,JIS
- **Mounting Flange:** ISO5211
- **Working Pressure:** PN16(200PSI)
- **Application:** HVAC,Water Supply&Sewage, Food&Beverage,Chemical/ petrochemical/processing, Power and Utilities,Paper and Pulp,Ship Building.

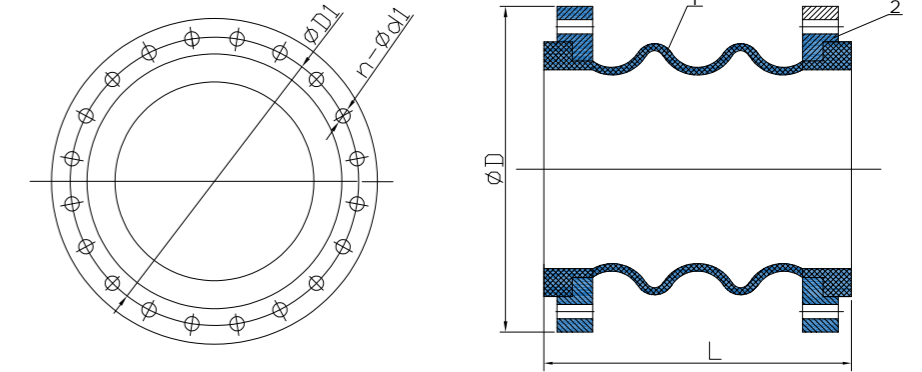
STANDARD MATERIALS OF MAIN PARTS

NO	PART NAME	MATERIAL
1	Sphere	EPDM/NBR
2	Flange	CS Coated Wth Zi nc

DIMENSIONS:(mm)

SIZE		L	Pn16			Pn10			ANSI150		
in	DN		D	D1	n-d1	D	D1	n-d1	D	D1	n-d1
1.25	32	95	140	100	4-18	140	100	4-18	117	89	4-16
1.5	40	95	150	110	4-18	150	110	4-18	127	98.5	4-16
2	50	105	165	125	4-18	165	125	4-18	152	120.5	4-19
2.5	65	115	185	145	4-18	185	145	4-18	178	139.5	4-19
3	80	135	200	160	8-18	200	160	8-18	191	152.5	4-19
4	100	150	220	180	8-18	220	180	8-18	229	190.5	8-19
5	125	165	250	210	8-18	250	210	8-18	254	216	8-22
6	150	180	285	240	8-23	285	240	8-23	279	241.5	8-22
8	200	210	340	295	12-23	340	295	8-23	343	298.5	8-22
10	250	230	405	355	12-27	395	350	12-23	406	362	12-25
12	300	245	460	410	12-27	445	400	12-23	483	432	12-25
14	350	255	520	470	16-27	505	460	16-23	533	476	12-29
16	400	255	580	525	16-30	565	515	16-27	597	539.5	16-29
18	450	255	640	585	20-30	615	565	20-27	635	578	16-35
20	500	255	715	650	20-33	670	620	20-27	699	635	20-32
24	600	260	840	770	20-36	780	725	20-30	813	749.5	20-35

Double Ball Connector With Flange



- **Type:** Flange
- **Face to Face:** API609,BS5155,DIN3202,ISO5752
- **Flange:** DIN,BS,UNI,ISO, ANSI, AS,JIS
- **Mounting Flange:** ISO5211
- **Working Pressure:** PN16(200PSI)
- **Application:** HVAC,Water Supply&Sewage, Food&Beverage,Chemical/ petrochemical/processing, Power and Utilities,Paper and Pulp,Ship Building.

STANDARD MATERIALS OF MAIN PARTS

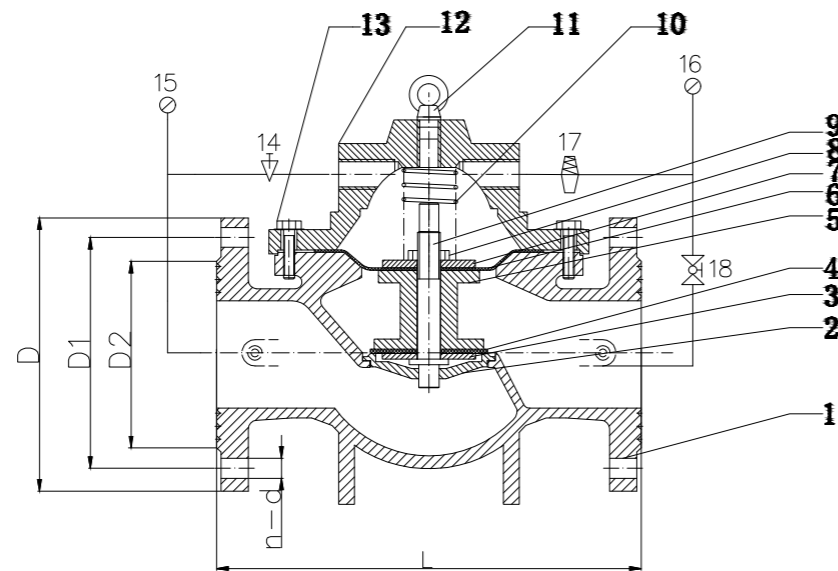
ITEM	PART NAME	MATERIAL
1	Sphere	EPDM/NBR
2	Flange	CS

DIMENSIONS:(mm)

SIZE		L	Axial disolacement		Lateral disolacement	Pn16			Pn10		
in	DN		Stretch	Compression		D	D1	n-d1	D	D1	n-d1
2	50	165	30	50	45	165	125	4-18	165	125	4-18
2.5	65	175	30	50	45	185	145	4-18	185	145	4-18
3	80	175	35	50	45	200	160	8-18	200	160	8-18
4	100	225	35	50	40	220	180	8-18	220	180	8-18
5	125	225	35	50	40	250	120	8-18	250	210	8-18
6	150	225	35	50	40	285	240	8-23	285	240	8-23
8	200	325	35	50	40	340	295	12-23	340	295	8-23
10	250	325	35	60	35	405	355	12-27	395	350	12-23
12	300	325	35	60	35	460	410	12-27	445	400	12-23
14	350	325	35	60	40	520	470	16-27	505	460	16-23
16	400	325	35	50	40	580	525	16-30	565	515	16-27



Pressure Reducing Valve



- **Type:**
Flange
- **Flange:**
DIN,BS,UNI,ISO, ANSI, AS,JIS
- **Working Pressure:**
PN16(200PSI)
- **Appliaction:**
HVAC,Water Supply&Sewage,
Food&Beverage,Chemical/
petrochemical/processing,
Power and Utilities,Paper
and Pulp,Ship Building.

STANDARD MATERIALS OF MAIN PARTS

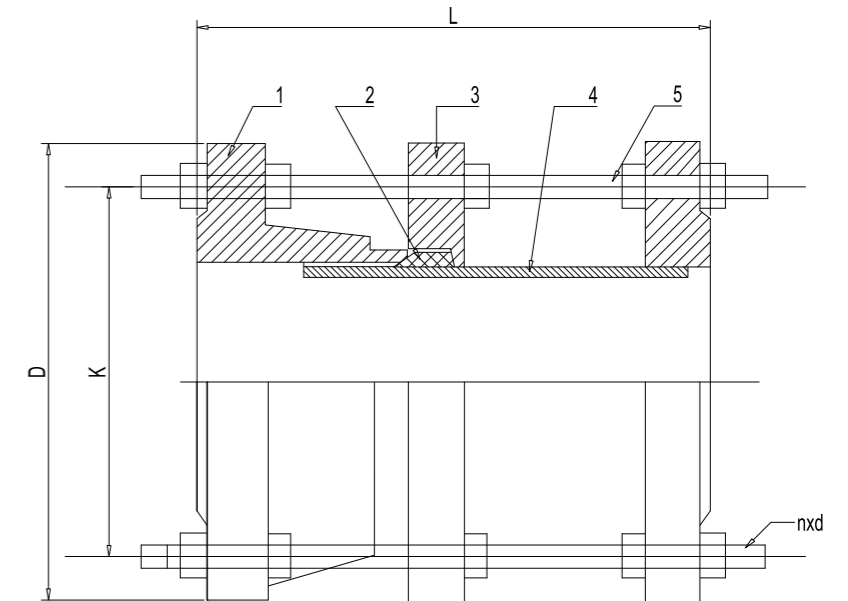
NO	PART NAME	MATERIAL
1	Body	CI
2	Seat	Brass
3	Platen	Carbon Steel
4	Seat	EPDM
5	Disc	DI
6	Diaphragm	EPDM
7	Platen	Crabon Steel
8	Nut	Stainless Steel
9	Stem	Stainless Steel
10	Spring	Stainless Steel
11	Eye Bolt	Crabon Steel
12	Bonnet	DI
13	Bolts	Stainless Steel
14	Needle Valve	Brass
15	Pressure Gauge	
16	Pressure Gauge	
17	Pilot Valve	Brass
18	Ball Valve	Brass

DIMENSIONS:(mm)

SIZE		L	PN10				PN16			
i n	DN		D1	n-d	D2	D	D1	n-d	D2	D
2	50	215	125	4-19	99	160	125	4-19	99	160
2.5	65	235	145	4-19	118	180	145	4-19	118	180
3	80	250	160	8-19	132	195	160	8-19	132	195
4	100	290	180	8-19	156	215	180	8-19	156	215
5	125	325	210	8-19	184	245	210	8-19	184	245
6	150	360	240	8-23	211	280	240	8-23	211	280
8	200	420	295	8-23	266	335	295	12-23	266	335
10	250	510	350	12-23	319	395	355	12-28	319	405
12	300	600	400	12-23	370	445	410	12-28	370	460
14	350	670	460	16-23	429	505	470	16-28	429	520
16	400	730	515	16-27	480	565	525	16-31	480	580
18	450	730	565	20-28	530	615	585	20-31	548	640
20	500	800	620	20-28	582	670	650	20-34	609	715
24	600	970	725	20-31	682	780	770	20-37	720	840
28	700	1110	840	24-31	794	895	840	24-37	794	910
32	800	1200	950	24-34	901	1015	950	24-40	901	1025



Dismantling Jiont



- **Type:**
Flange
- **Face to Face:**
API609,BS5155,DIN3202,IS05752
- **Flange:**
DIN,BS,UNI,ISO, ANSI, AS,JIS
- **Mounting Flange:**
ISO5211
- **Working Pressure:**
PN16(200PSI)
- **Appliaction:**
HVAC,Water Supply&Sewage,
Food&Beverage,Chemical/
petrochemical/processing,
Power and Utilities,Paper
and Pulp,Ship Building.

STANDARD MATERIALS OF MAIN PARTS

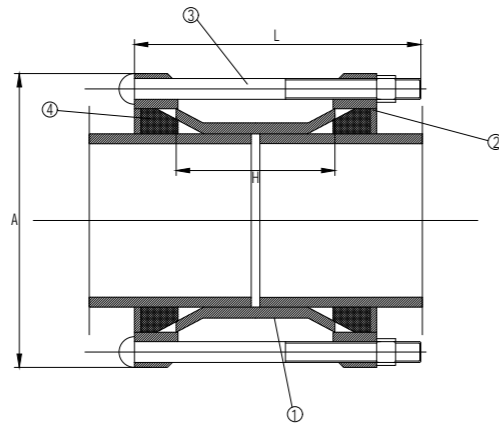
ITEM	PART NAME	MATERIAL
1	FL ANGE	Carbon Steel
2	SEALING RING	NBR
3	GL AND	Carbon Steel
4	PIPE	Carbon Steel
5	BOLT	Carbon Steel 8.8 GRADE Hot Zinc

DIMENSIONS:(mm)

DN	PN25				Expansion Capacity
	D	K	nxd	L	
250	425	370	12*30	230	±20
300	485	430	16*30	250	±20
500	730	660	20*36	300	±25
2000	2425	2300	48*70	470	±30



Universal Coupling(wide range)



DIMENSIONS:(mm)

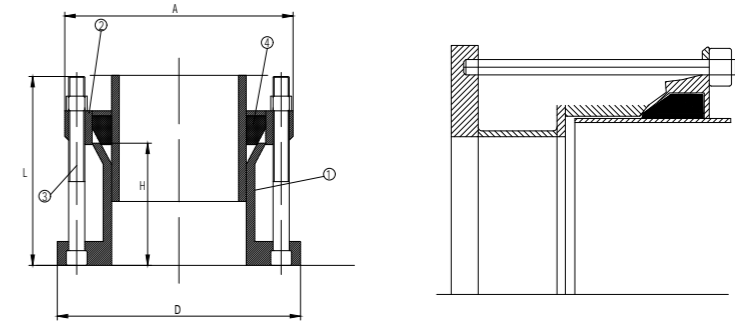
Pipe	Range	Bolt	A	H	Weight	Pipe to fit					
Norm		L No.	mm	mm	kgs	DI	ST	PVC	AC	CI	GRP
Dn40	48-60	M12X170 2	150	98	2.4	★	▲				+
Dn50	59-72	M12X170 2/4	156	98	2.5	★	▲	◆			+
Dn65	72-85	M12X170 2/4	174	98	3.2	★	▲			○	+
Dn80	88-103	M12X180 4	185	98	4.0	●	★	▲	◆		
Dn100	96-116	M12X180 4	205	98	4.5	●	★	▲	◆		
Dn100	108-120	M12X190 4	210	98	4.6	●	★	▲	◆		
Dn100	105-125	M12X190 4	210	98	4.6	●	★	▲		○	+
Dn100	109-128	M12X180 4	218	98	4.8	●	★	▲	◆	○	+
Dn125	132-146	M12X180 4	240	98	6.1		★	▲			+
Dn125	138-153	M12X180 4	246	98	6.2		★	▲	◆	○	+
Dn150	158-172	M12X200 4	275	105	7.0	●	★	▲	◆		
Dn150	155-175	M12X200 4	275	105	7.0	●	★	▲	◆	○	+
Dn150	159-182	M12X200 4	280	110	7.2	●	★	▲	◆	○	+
Dn175	192-210	M12X210 4	321	130	8.0		★	▲		○	+
Dn200	198-225	M12X210 4	320	130	9.5	●	★	▲		○	+
Dn200	218-235	M12X220 4/6	328	130	10.0	●	★	▲	◆	○	+
Dn225	242-262	M12X220 6	360	130	12.0		★	▲	◆	○	+
Dn250	250-267	M12X220 6	368	130	14.0			▲	◆	○	+
Dn250	250-274	M12X220 6	370	130	14.0	●	★	▲	◆	○	+
Dn250	272-289	M12X220 6	382	130	14.0	●	★	▲	◆	○	+
Dn300	315-332	M12X220 6	430	130	16.5	●	★	▲			+
Dn300	322-339	M12X220 6	435	130	16.0	●	★		◆	○	
Dn350	340-360	M12X220 6/8	455	130	20.0		★	▲	◆	○	+
Dn350	351-378	M14X230 8	510	130	23.0	●	★	▲	◆	○	+
Dn350	374-391	M14X230 8	520	130	24.0	●			◆		
Dn400	390-410	M14X220 8	530	130	25.0		★	▲	◆		+
Dn400	398-430	M14X270 8	560	140	26.0	●	★	▲	◆	○	+
Dn400	417-437	M14X240 8	555	130	28.0	●			◆	○	+
Dn400	425-442	M14X240 8	560	130	28.0	●				○	
Dn450	450-463	M14X270 8	585	130	30.0		★	▲	◆	○	
Dn450	455-475	M14X270 10	600	130	32.0		★				
Dn450	476-500	M14X270 10	620	130	36.0	●	★	▲	◆	○	
Dn500	500-508	M16X270 10	620	130	38.0		★	▲	◆	○	+
Dn500	500-533	M14X280 10	680	140	39.0	●	★	▲			+
Dn500	526-546	M14X270 10	663	130	40.0	●	★		◆	○	
Dn600	600-630	M14X270 10	725	130	47.0		★	▲	◆	○	+
Dn600	608-636	M14X270 10	740	130	48.0	●	★	▲			+
Dn600	630-650	M14X270 10	745	130	50.0	●	★	▲			+
Dn700	710-739	M16X280 12	875	155	70.0	●	★	▲		○	+
DN800	816-842	M16X330 12	986	180	80.0	●	★		◆	○	+

STANDARD MATERIALS OF MAIN PARTS

NO	Reference	Material	Standard
1	Sleeve	Steel/ductile iron	S235/EN1563
2	End Ring	Ductile iron GGG450-10	En1563
3	Bolt And Nut	Steel 8.8 Dacromet/Zincd	ISO898-1
4	Gasket	EPDM/NBR	EN681-1
5	Coating	FBE/Rilsan Nylon	EN14901



Universal Flange Adaptor(wide range)



STANDARD MATERIALS OF MAIN PARTS

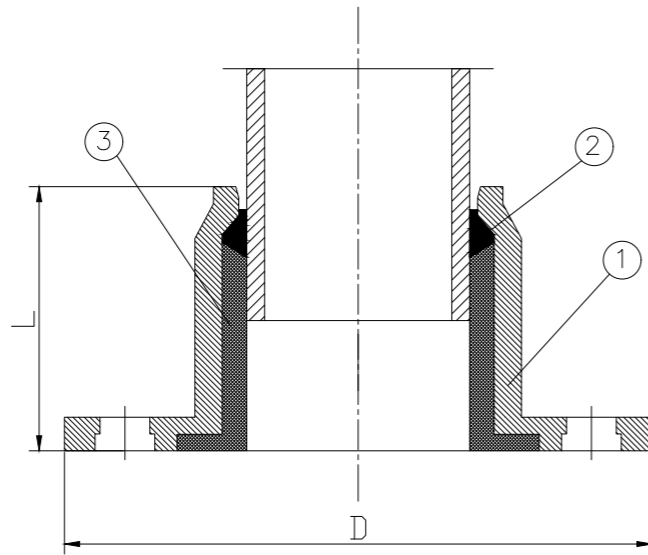
Pipe	Range	Pressure	Bolt	A	D	H	Weight	Pipe to fit					
Norm		Flange	L No.	mm	mm	mm	kgs	DI	ST	PVC	AC	CI	GRP
Dn40	48-60	PN10/16	M12X130 2	150	150	80	2.8	★	▲				+
Dn50	59-72	PN10/16	M12X130 2	156	165	80	3.0	★	▲	◆			+
Dn65	72-85	PN10/16	M12X130 2	174	190	80	3.9	★	▲				+
Dn80	88-103	PN10/16	M12X130 4	185	200	80	4.8	●	★	▲	◆		+
Dn100	96-116	PN10/16	M12X130 4	205	220	80	5.0	●	★	▲	◆		
Dn100	108-120	PN10/16	M12X130 4	210	220	80	5.3	●	★	▲			
Dn100	105-125	PN10/16	M12X130 4	210	220	80	5.3	●	★	▲		○	
Dn100	109-128	PN10/16	M12X130 4	218	220	80	5.5	●	★		◆	○	+
Dn125	132-146	PN10/16	M12X140 4	240	250	80	6.5		★		◆		+
Dn125	138-153	PN10/16	M12X140 4	246	250	80	6.6		★	▲		○	+
Dn150	158-172	PN10/16	M12X140 4	275	285	80	7.5	●	★	▲			
Dn150	155-175	PN10/16	M12X140 4	275	285	80	7.5	●	★				
Dn150	159-182	PN10/16	M12X140 4	280	285	80	7.6	●	★	▲	◆	○	+
Dn175	192-210	PN10/16	M12X140 4	312	340	80	11.0		★	▲		○	
Dn200	192-210	PN10/16	M12X140 4	312	340	80	11.2		★	▲		○	
Dn200	198-225	PN10/16	M12X140 4	320	340	80	12.0	●	★	▲		○	+
Dn200	218-235	PN10/16	M12X140 4	328	340	80	10.6	●	★	▲	◆	○	+
Dn250	242-262	PN10/16	M12X140 6	360	400	85	14.0		★	▲	◆	○	+
Dn250	250-267	PN10/16	M12X140 6	368	400	85	14.5			▲	◆	○	
Dn250	250-274	PN10/16	M12X150 6	370	400	85	14.8	●	★	▲	◆	○	+
Dn250	272-289	PN10/16	M12X150 6	382	400	85	14.9	●	★	▲	◆	○	+
Dn300	315-332	PN10/16	M12X150 6	430	455	85	17.9	●	★	▲			+
Dn300	322-339	PN10/16	M12X150 6	435	455	85	17.0	●	★		◆	○	+
Dn300	340-360	PN16	-M12X170 6	455	455	85	35.0		★	▲	◆	○	
Dn350	340-360	PN10/16	M14X190 8	455	520	115	28.0		★	▲	◆	○	
Dn350	351-378	PN10/16	M14X170 8	510	520	108	28.0	●	★	▲	◆		+
Dn350	374-391	PN10/16	M14X180 8	520	520	108	30.4	●			◆		
Dn400	390-410	PN10/16	M14X150 8	530	580	108	33.5		★	▲	◆		
Dn400	398-430	PN10/16	M14X210 8	560	580	108	34.0	●	★	▲	◆	○	+
Dn400	417-437	PN10/16	M14X180 8	555	580	108	35.0	●			◆	○	+
Dn400	425-442	PN10/16	M14X180 8	560	580	108	34.1	●				○	+
Dn400	450-463	PN16	-M14X180 8	585	580	108	40.0		★	▲	◆	○	
Dn450	455-475	PN10/16	M14X180 10	600	640	108	32.0		★		◆		
Dn450	476-500	PN10/16	M14X180 10	620	640	108	34.0	●		▲	◆	○	
Dn500	500-508	PN10/16	M14X180 10	620	715	114	49.5		★	▲	◆	○	
Dn500	500-533	PN10/16	M14X210 10	680	715	124	50.0	●	★	▲			+
Dn500	526-546	PN10/16	M14X180 10	663	715	114	49.0	●			◆	○	+
Dn600	600-630	PN10/16	M14X180 10	725	840	114	60.0		★	▲	◆	○	
Dn600	608-636	PN10/16	M14X200 10	740	840	130	78.2	●	★	▲			+
Dn600	630-650	PN10/16	M14X180 10	745	840	118	66.5	●	★	▲		○	
Dn700	710-739	PN10/16	M16X180 12	875	910	114	72.0	●	★	▲		○	
Dn800	816-842	PN10/16	M16X230 12	986	1025	128	120				◆	○	+

STANDARD MATERIALS OF MAIN PARTS

NO	Reference	Material	Standard
1	Sleeve	Steel/ductile iron	S235/EN1563
2	End Ring	Ductile iron GGG450-10	En1563
3	Bolt And Nut	Steel 8.8 Dacromet/Zincd	ISO898-1
4	Gasket	EPDM/NBR	EN681-1
5	Coating	FBE/Rilsan Nylon	EN14901



Quick Flange Adaptor For PE/PVC Pipe (and DI pipe)



For PVC Pipe



For PE Pipe

STANDARD MATERIALS OF MAIN PARTS

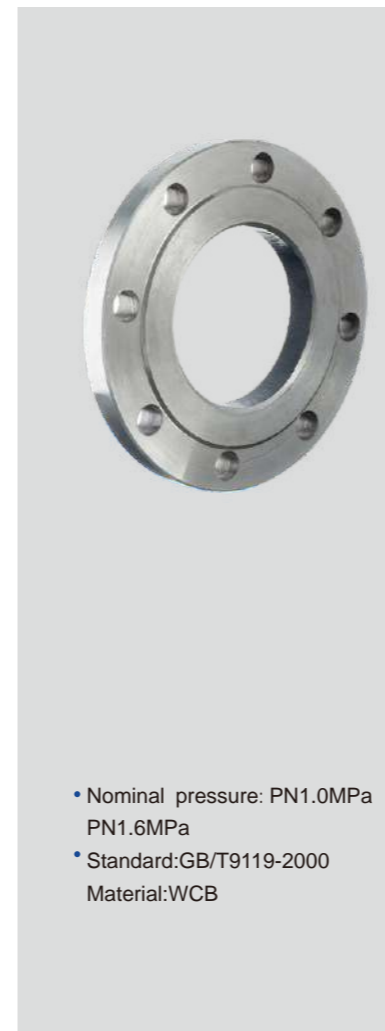
NO	NAME	Material	Standard
1	Body	Ductile iron	En1563
2	Rubber	EPDM/NBR	EN681-1
3	Grip Ring	Brass	CuZn36Pb3



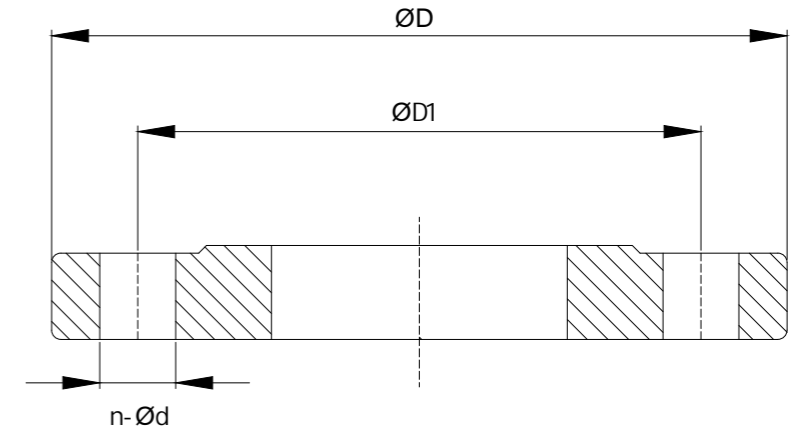
Installation diagram

STANDARD MATERIALS OF MAIN PARTS

PN10/PN16(Multi Flange Holes)				
Size	Pipe OD	L	D	Weight(kg)
Dn40-50	50	50	165	1.7
Dn50	63	55	165	1.8
Dn60-65	63	55	185	2.4
Dn60-65	75	58	185	2.2
Dn80	90	60	200	2.8
Dn100	110	68	220	4.0
Dn125	125	70	250	4.2
Dn125	140	75	250	4.1
Dn150	160	80	285	6.5
Dn200	200	90	340	8.5
Dn200	225	93	340	8.0
Dn250	250	95	400	12.5
Dn300	315	100	455	15.0
Dn400	400	120	580	25.0



Flange



- Nominal pressure: PN1.0MPa
PN1.6MPa
- Standard:GB/T9119-2000
- Material:WCB

Pn16

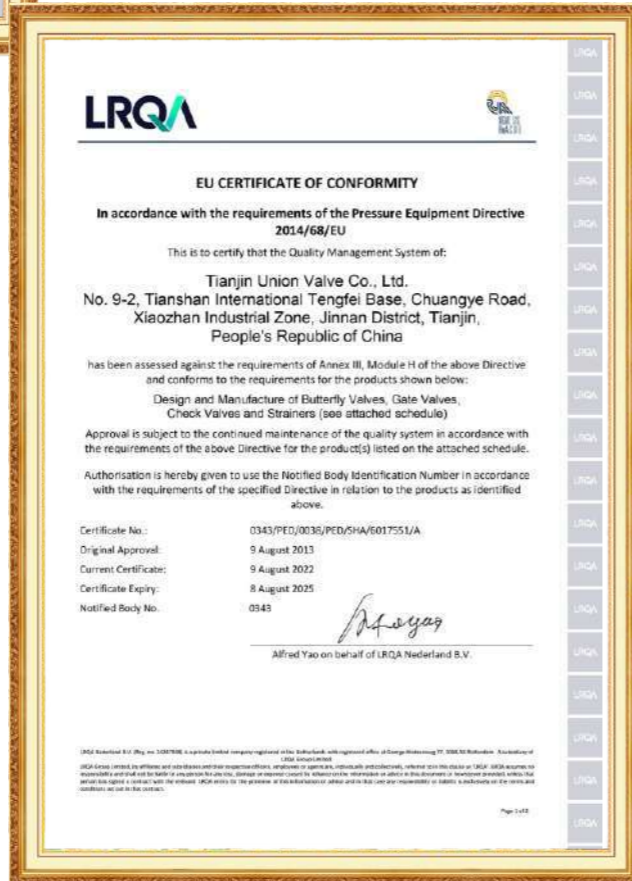
Size	D	D1	nxd
Dn50	165	125	4X18
Dn65	185	145	8X18
Dn80	200	160	8X18
Dn100	220	180	8X18
Dn125	250	210	8X18
Dn150	285	240	8X22
Dn200	340	295	12X26
Dn250	405	355	12X26
Dn300	460	410	16X26
Dn350	520	470	16X26
Dn400	580	525	16X30
Dn450	640	585	20X30
Dn500	715	650	20X30
DN600	840	770	20X36

Pn10

Size	D	D1	nxd
Dn50	165	125	4X18
Dn65	185	145	8X18
Dn80	200	160	8X18
Dn100	220	180	8X18
Dn125	250	210	8X18
Dn150	285	240	8X22
Dn200	340	295	8X22
Dn250	395	350	12X22
Dn300	445	400	12X22
Dn350	505	460	16X22
Dn400	465	515	16X26
Dn450	615	565	20X26
Dn500	670	620	20X26
DN600	780	725	20X30

CE Certificate

CE Certificate



CE Certification

LRQA

CERTIFICATE SCHEDULE
0343/PEDM/BJG6017551/A
 In accordance with the requirements of the Pressure Equipment Directive 2014/68/EU

Tianjin Union Valve Co., Ltd.
 No. 9-2, Tianshan International Tengfei Base, Chuangye Road,
 Xiaozhan Industrial Zone, Jinnan District, Tianjin,
 People's Republic of China

Products: D type rubber expansion joints DN40 to 300, PN10/16.

Production line address: No. 9-2, Tianshan International Tengfei Base, Chuangye Road,
 Xiaozhan Industrial Zone, Jinnan District, Tianjin, People's Republic of China

Material Grades and Standards:

Standards	Grades
HG/T2289-2001	Body: EPDM and flange: GGG50.

Schedule Issue: 01
 Date of Schedule Issue: 9 August 2022
 Notified Body No.: 0343

Alfred Yao
 Alfred Yao on behalf of LRQA Nederland B.V.

LRQA

CERTIFICATE SCHEDULE
0343/PEDM/BJG6017551/A
 In accordance with the requirements of the Pressure Equipment Directive 2014/68/EU

Tianjin Union Valve Co., Ltd.
 No. 9-2, Tianshan International Tengfei Base, Chuangye Road,
 Xiaozhan Industrial Zone, Jinnan District, Tianjin,
 People's Republic of China

Products: D type rubber expansion joints DN40 to 300, PN10/16.

Production line address: No. 9-2, Tianshan International Tengfei Base, Chuangye Road,
 Xiaozhan Industrial Zone, Jinnan District, Tianjin, People's Republic of China

Material Grades and Standards:

Standards	Grades
HG/T2289-2001	Body: EPDM and flange: GGG50.

Schedule Issue: 01
 Date of Schedule Issue: 9 August 2022
 Notified Body No.: 0343

Alfred Yao
 Alfred Yao on behalf of LRQA Nederland B.V.

ACS Certification

eurofins

Attestation de conformité sanitaire
 Certificate of sanitary conformity
 Conformément à l'arrêté du 29 mai 1907 modifié et à la circulaire du Ministère de la Santé
 Directeur Générale de la Santé DGS/SDTA N° 571 du 25 Novembre 2002

Coordonnées du demandeur d'ACS / Contact details of the ACS owner:
 TIANJIN UNION VALVE CO., LTD.
 No.9-2, Tianshan International Tengfei Base, Chuangye Road,
 Xiaozhan Industrial Zone, Jinnan District, Tianjin
 China

Nom de l'accessoire représentatif / Reference of the representative accessory:
 Robinet vanne à siège résilient - DN50

N° de dossier attribué par le laboratoire habilité / File reference: 23 ACC NY 409

Date de réalisation des essais d'inertie selon la norme XP P41-260 / Test's date (according to the standard XP P 41-260): Aucun essai n'est nécessaire à l'émission de cette ACS / No testing is required to issue this ACS.

Commentaires / Comments: Les composants métalliques sont conformes à l'arrêté du 25 juin 2020 / Metallic components are compliant with the decree dated 25th June 2020.

Famille d'accessoires couverts par l'ACS / Accessories' family covered by this certificate:
 VANNES À OPERCULE À SIÈGE RÉSILIENT OU À COIN SOLIDE - UNION

Références / References: (2 articles et leurs variantes)
 Vannes à opercule à siège résilient - DN50, DN65, DN80, DN100, DN125, DN150, DN200, DN250, DN300, DN350, DN400, DN450, DN500, DN600, DN700, DN800, DN900, DN1000, DN1100 et DN1200
 Vannes à opercule à coin solide - DN50, DN65, DN80, DN100, DN125, DN150, DN200, DN250, DN300, DN350, DN400, DN450, DN500, DN600, DN700, DN800, DN900, DN1000, DN1100 et DN1200

Ces vannes ont un corps revêtu époxy bleu et un joint en EPDM noir (opercule ou joint) / These valves have a blue epoxy-coated body and a black EPDM seal (flap or seal).

Attestation délivrée par / Certificate issue by:
 Lisa Führmann
 Coordinatrice de projets clients / Analytical Service Manager

Date de délivrance / Date of issue: 7 septembre 2023
Date d'expiration / Expiry date: 7 septembre 2026

Commentaires / Comments:

eurofins

Attestation de conformité sanitaire
 Certificate of sanitary conformity
 Conformément à l'arrêté du 29 mai 1907 modifié et à la circulaire du Ministère de la Santé
 Directeur Générale de la Santé DGS/SDTA N° 571 du 25 Novembre 2002

Coordonnées du demandeur d'ACS / Contact details of the ACS owner:
 TIANJIN UNION VALVE CO., LTD.
 No.9-2, Tianshan International Tengfei Base, Chuangye Road,
 Xiaozhan Industrial Zone, Jinnan District, Tianjin
 China

Nom de l'accessoire représentatif / Reference of the representative accessory:
 Clapet anti-retour à double battant - DN50

N° de dossier attribué par le laboratoire habilité / File reference: 23 ACC NY 410

Date de réalisation des essais d'inertie selon la norme XP P41-260 / Test's date (according to the standard XP P 41-260): Aucun essai n'est nécessaire à l'émission de cette ACS / No testing is required to issue this ACS.

Commentaires / Comments: Les composants métalliques sont conformes à l'arrêté du 25 juin 2020 / Metallic components are compliant with the decree dated 25th June 2020.

Famille d'accessoires couverts par l'ACS / Accessories' family covered by this certificate:
 CLAPETS ANTI-RETOUR À SIMPLE OU DOUBLE BATTANT - UNION

Références / References: (2 articles et leurs variantes)
 Clapets anti-retour à simple battant - DN50, DN65, DN80, DN100, DN125, DN150, DN200, DN250, DN300, DN350, DN400, DN450, DN500, DN600, DN700 et DN800
 Clapets anti-retour à double battant - DN50, DN65, DN80, DN100, DN125, DN150, DN200, DN250, DN300, DN350, DN400, DN450, DN500, DN600, DN700 et DN800

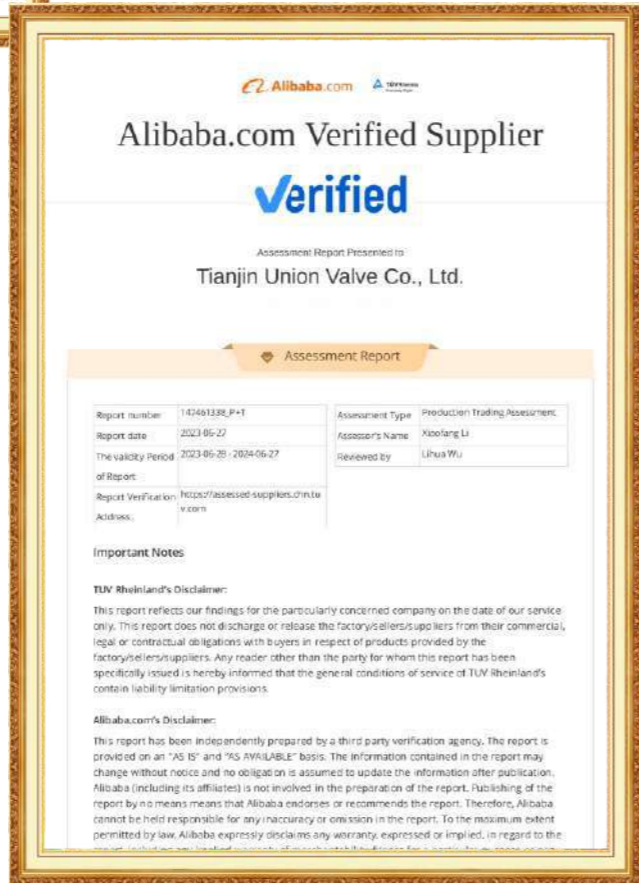
Ces vannes ont un corps revêtu époxy bleu et un clapet en inox. / These valves have a blue epoxy-coated body and a stainless steel flap.

Attestation délivrée par / Certificate issue by:
 Lisa Führmann
 Coordinatrice de projets clients / Analytical Service Manager

Date de délivrance / Date of issue: 7 septembre 2023
Date d'expiration / Expiry date: 7 septembre 2026

Commentaires / Comments:

ACS Certification And BV Certification



ISO 45001 And 24001

